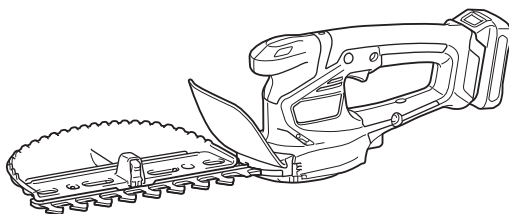
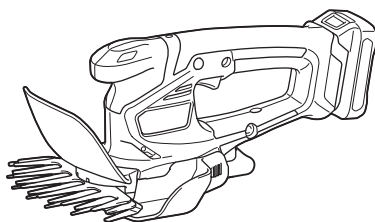


INSTRUCTION MANUAL  
MANUAL DE INSTRUCCIONES



# Cordless Grass Shear / Cordless Hedge Trimmer Tijeras Inalámbricas para Hierba / Cortasetos Inalámbrico

MU04 / HU06



Read before use.  
Lea antes de usar.

# SPECIFICATIONS

## MU04 with shear blade for grass shear installed

Model:	MU04
Cutting width	160 mm (6-5/16")
Strokes per minute	2,500/min
Dimensions (L x W x H)	347 mm x 177 mm x 131 mm (13-5/8" x 7" x 5-1/8")
Rated voltage	D.C. 10.8 V - 12 V max
Standard battery cartridge	BL1016 / BL1021B / BL1041B
Net weight	1.3 - 1.4 kg (2.8 - 3.2 lbs)

## HU06 with shear blade for hedge trimmer installed

Model:	HU06
Blade length	200 mm (7-7/8")
Strokes per minute	2,500/min
Dimensions (L x W x H)	504 mm x 120 mm x 131 mm (19-7/8" x 4-3/4" x 5-1/8")
Rated voltage	D.C. 10.8 V - 12 V max
Standard battery cartridge	BL1016 / BL1021B / BL1041B
Net weight	1.3 - 1.5 kg (2.9 - 3.3 lbs)

- Due to our continuing program of research and development, the specifications herein are subject to change without notice.
- Specifications and battery cartridge may differ from country to country.
- Weight, with battery cartridge, according to EPTA-Procedure 01/2003

# SAFETY WARNINGS

## General power tool safety warnings

**⚠ WARNING:** Read all safety warnings and all instructions. Failure to follow the warnings and instructions may result in electric shock, fire and/or serious injury.

## Save all warnings and instructions for future reference.

The term "power tool" in the warnings refers to your mains-operated (corded) power tool or battery-operated (cordless) power tool.

### Work area safety

1. **Keep work area clean and well lit.** Cluttered or dark areas invite accidents.
2. **Do not operate power tools in explosive atmospheres, such as in the presence of flammable liquids, gases or dust.** Power tools create sparks which may ignite the dust or fumes.
3. **Keep children and bystanders away while operating a power tool.** Distractions can cause you to lose control.

### Electrical Safety

1. **Power tool plugs must match the outlet. Never modify the plug in any way. Do not use any adapter plugs with earthed (grounded) power tools.** Unmodified plugs and matching outlets will reduce risk of electric shock.

2. **Avoid body contact with earthed or grounded surfaces, such as pipes, radiators, ranges and refrigerators.** There is an increased risk of electric shock if your body is earthed or grounded.
3. **Do not expose power tools to rain or wet conditions.** Water entering a power tool will increase the risk of electric shock.
4. **Do not abuse the cord. Never use the cord for carrying, pulling or unplugging the power tool. Keep cord away from heat, oil, sharp edges or moving parts.** Damaged or entangled cords increase the risk of electric shock.
5. **When operating a power tool outdoors, use an extension cord suitable for outdoor use.** Use of a cord suitable for outdoor use reduces the risk of electric shock.
6. **If operating a power tool in a damp location is unavoidable, use a ground fault circuit interrupter (GFCI) protected supply.** Use of a GFCI reduces the risk of electric shock.

### Personal Safety

1. **Stay alert, watch what you are doing and use common sense when operating a power tool. Do not use a power tool while you are tired or under the influence of drugs, alcohol or medication.** A moment of inattention while operating power tools may result in serious personal injury.
2. **Use personal protective equipment. Always wear eye protection.** Protective equipment such as a dust mask, non-skid safety shoes, hard hat or hearing protection used for appropriate conditions will reduce personal injuries.

3. **Prevent unintentional starting.** Ensure the switch is in the off-position before connecting to power source and/or battery pack, picking up or carrying the tool. Carrying power tools with your finger on the switch or energising power tools that have the switch on invites accidents.
4. **Remove any adjusting key or wrench before turning the power tool on.** A wrench or a key left attached to a rotating part of the power tool may result in personal injury.
5. **Do not overreach. Keep proper footing and balance at all times.** This enables better control of the power tool in unexpected situations.
6. **Dress properly. Do not wear loose clothing or jewellery. Keep your hair, clothing, and gloves away from moving parts.** Loose clothes, jewellery or long hair can be caught in moving parts.
7. **If devices are provided for the connection of dust extraction and collection facilities, ensure these are connected and properly used.** Use of dust collection can reduce dust-related hazards.
4. **Under abusive conditions, liquid may be ejected from the battery; avoid contact.** If contact accidentally occurs, flush with water. If liquid contacts eyes, additionally seek medical help. Liquid ejected from the battery may cause irritation or burns.
5. **Do not use a battery pack or tool that is damaged or modified.** Damaged or modified batteries may exhibit unpredictable behaviour resulting in fire, explosion or risk of injury.
6. **Do not expose a battery pack or tool to fire or excessive temperature.** Exposure to fire or temperature above 130 °C may cause explosion.
7. **Follow all charging instructions and do not charge the battery pack or tool outside the temperature range specified in the instructions.** Charging improperly or at temperatures outside the specified range may damage the battery and increase the risk of fire.

#### Power tool use and care

1. **Do not force the power tool. Use the correct power tool for your application.** The correct power tool will do the job better and safer at the rate for which it was designed.
2. **Do not use the power tool if the switch does not turn it on and off.** Any power tool that cannot be controlled with the switch is dangerous and must be repaired.
3. **Disconnect the plug from the power source and/or the battery pack from the power tool before making any adjustments, changing accessories, or storing power tools.** Such preventive safety measures reduce the risk of starting the power tool accidentally.
4. **Store idle power tools out of the reach of children and do not allow persons unfamiliar with the power tool or these instructions to operate the power tool.** Power tools are dangerous in the hands of untrained users.
5. **Maintain power tools. Check for misalignment or binding of moving parts, breakage of parts and any other condition that may affect the power tool's operation. If damaged, have the power tool repaired before use.** Many accidents are caused by poorly maintained power tools.
6. **Keep cutting tools sharp and clean.** Properly maintained cutting tools with sharp cutting edges are less likely to bind and are easier to control.
7. **Use the power tool, accessories and tool bits etc. in accordance with these instructions, taking into account the working conditions and the work to be performed.** Use of the power tool for operations different from those intended could result in a hazardous situation.

#### Battery tool use and care

1. **Recharge only with the charger specified by the manufacturer.** A charger that is suitable for one type of battery pack may create a risk of fire when used with another battery pack.
2. **Use power tools only with specifically designated battery packs.** Use of any other battery packs may create a risk of injury and fire.
3. **When battery pack is not in use, keep it away from other metal objects, like paper clips, coins, keys, nails, screws or other small metal objects, that can make a connection from one terminal to another.** Shorting the battery terminals together may cause burns or a fire.

#### Service

1. **Have your power tool serviced by a qualified repair person using only identical replacement parts.** This will ensure that the safety of the power tool is maintained.
2. **Follow instruction for lubricating and changing accessories.**
3. **Keep handles dry, clean and free from oil and grease.**

### Cordless Grass Shear Safety Warnings

**⚠WARNING:** When using electric gardening appliances, basic safety precautions should always be followed to reduce the risk of fire, electric shock, and personal injury, including the following:

### READ ALL INSTRUCTIONS.

1. **Be aware that this appliance is always in an operating condition, because it does not have to be plugged into an electrical outlet.**
2. **Do not operate appliances in explosive atmospheres, such as in the presence of flammable liquids, gases, or dust.** Appliances create sparks which may ignite the dust or fumes.
3. **Avoid dangerous environment** - Do not use appliances in damp or wet locations.
4. **Do not use or charge appliance in rain, or in wet locations.**
5. **Keep children away** - All visitors should be kept at a distance from work area.
6. **Dress properly** - Do not wear loose clothing or jewelry. They can be caught in moving parts. Use of rubber gloves and substantial footwear is recommended when working outdoors. Wear protective hair covering to contain long hair.
7. **Use safety equipment. Always wear eye protection.** Dust mask, non-skid safety shoes, hard hat, or hearing protection must be used for appropriate conditions.
8. **Use right appliance** - Do not use appliance for any job except that for which it is intended.
9. **Avoid unintentional starting** - Do not carry appliance with finger on switch. Be sure switch is off before inserting battery pack.
10. **Do not grasp the exposed cutting blades or cutting edges when picking up or holding the appliance.**

11. **Do not force appliance** - It will do the job better and with less likelihood of a risk of injury at the rate for which it was designed.
12. **Do not overreach** - Keep proper footing and balance at all times.
13. **Stay alert** - Watch what you are doing. Use common sense. Do not operate appliance when you are tired.
14. **Store idle appliances indoors** - When not in use, appliances should be stored indoors in dry, and high or locked-up place out of reach of children.
15. **Maintain appliance with care** - Keep cutting edge sharp and clean for best performance and to reduce the risk of injury. Follow instructions for lubricating and changing accessories. Inspect appliance cord periodically, and if damaged, have it repaired by an authorized service facility. Inspect extension cords periodically and replace if damaged. Keep handles dry, clean, and free from oil and grease.
16. **Check damaged parts** - Before further use of the appliance, a guard or other part that is damaged should be carefully checked to determine that it will operate properly and perform its intended function. Check for alignment of moving parts, binding of moving parts, breakage of parts, mounting, and any other condition that may affect its operation. A guard or other part that is damaged should be properly repaired or replaced by an authorized service center unless indicated elsewhere in this manual.
17. **A battery operated appliance with integral batteries or a separate battery pack must be recharged only with the specified charger for the battery.** A charger that may be suitable for one type of battery may create a risk of fire when used with another battery.
18. **Use battery operated appliance only with specifically designated battery pack.** Use of any other batteries may create a risk of fire.
19. **Remove adjusting keys or wrenches before turning the appliance on.** A wrench or a key that is left attached to a rotating part of the appliance may result in personal injury.
20. **Do not use appliance if switch does not turn it on or off.** An appliance that cannot be controlled with the switch is dangerous and must be repaired.
21. **Disconnect battery pack from appliance or place the switch in the locked or off position before making any adjustments, changing accessories, cleaning, removing material from the appliance or storing the appliance.** Such preventive safety measures reduce the risk of starting the appliance accidentally.
22. **When battery pack is not in use, keep it away from other metal objects like: paper clips, coins, keys, nails, screws, or other small metal objects that can make a connection from one terminal to another.** Shorting the battery terminals together may cause sparks, burns, or a fire.
23. **Use only accessories that are recommended by the manufacturer for your model.** Accessories that may be suitable for one appliance may create a risk of injury when used on another appliance.
24. **Appliance service must be performed only by qualified repair personnel.** Service or maintenance performed by unqualified personnel may result in a risk of injury.
25. **When servicing an appliance, use only identical replacement parts. Follow instructions in the Maintenance section of this manual.** Use of unauthorized parts or failure to follow Maintenance instructions may create a risk of shock or injury.
26. **Keep hands away from blades.**
27. **Before cutting grass, remove foreign matter such as rocks and large sticks from the work area. Be careful not to catch foreign matter between blades, otherwise blades may be jammed.** If this happens, switch the appliance off. Then remove the obstruction from the blades.
28. **When not in use, be sure to cover the blades with blade cover.**

**⚠WARNING: DO NOT let comfort or familiarity with product (gained from repeated use) replace strict adherence to safety rules for the subject product. MISUSE or failure to follow the safety rules stated in this instruction manual may cause serious personal injury.**

## Cordless Hedge Trimmer Safety Warnings

1. **Keep all parts of the body away from the cutter blade. Do not remove cut material or hold material to be cut when blades are moving. Make sure the switch is off when clearing jammed material. Blades coast after turn off.** A moment of inattention while operating the hedge trimmer may result in serious personal injury.
2. **Carry the hedge trimmer by the handle with the cutter blade stopped.** Proper handling of the hedge trimmer will reduce possible personal injury from the cutter blades.
3. **Hold the power tool by insulated gripping surfaces only, because the cutter blade may contact hidden wiring.** Cutter blades contacting a "live" wire may make exposed metal parts of the power tool "live" and could give the operator an electric shock.
4. **DANGER - Keep hands away from blade.** Contact with blade will result in serious personal injury.
5. **Do not use the hedge trimmer in the rain or in wet or very damp conditions.** The electric motor is not waterproof.
6. **First-time users should have an experienced hedge trimmer user show them how to use the trimmer.**
7. **The hedge trimmer must not be used by children or young persons under 18 years of age.** Young persons over 16 years of age may be exempted from this restriction if they are undergoing training under the supervision of an expert.
8. **Use the hedge trimmer only if you are in good physical condition.** If you are tired, your attention will be reduced. Be especially careful at the end of a working day. Perform all work calmly and carefully. The user is responsible for all damages to third parties.
9. **Never use the trimmer when under the influence of alcohol, drugs or medication.**
10. **Work gloves of stout leather are part of the basic equipment of the hedge trimmer and must always be worn when working with it. Also wear sturdy shoes with anti-skid soles.**

11. Before starting work check to make sure that the trimmer is in good and safe working order. Ensure guards are fitted properly. The hedge trimmer must not be used unless fully assembled.
12. Make sure you have a secure footing before starting operation.
13. Hold the tool firmly when using the tool.
14. Do not operate the tool at no-load unnecessarily.
15. Immediately switch off the motor and remove the battery cartridge if the cutter should come into contact with a fence or other hard object. Check the cutter for damage, and if damaged repair immediately.
16. Before checking the cutter, taking care of faults, or removing material caught in the cutter, always switch off the trimmer and remove the battery cartridge.
17. Switch off the trimmer and remove the battery cartridge before doing any maintenance work.
18. When moving the hedge trimmer to another location, including during work, always remove the battery cartridge and put the blade cover on the cutter blades. Never carry or transport the trimmer with the cutter running. Never grasp the cutter with your hands.
19. Clean the hedge trimmer and especially the cutter after use, and before putting the trimmer into storage for extended periods. Lightly oil the cutter and put on the cover. The cover supplied with the unit can be hung on the wall, providing a safe and practical way to store the hedge trimmer.
20. Store the hedge trimmer with the cover on, in a dry room. Keep it out of reach of children. Never store the trimmer outdoors.

## SAVE THESE INSTRUCTIONS.

**⚠ WARNING:** DO NOT let comfort or familiarity with product (gained from repeated use) replace strict adherence to safety rules for the subject product. MISUSE or failure to follow the safety rules stated in this instruction manual may cause serious personal injury.

## Symbols

The followings show the symbols used for tool.

V	volts
— — —	direct current
n	rated speed
n <sub>0</sub>	no load speed
... /min r /min	revolutions or reciprocation per minute

## Important safety instructions for battery cartridge

1. Before using battery cartridge, read all instructions and cautionary markings on (1) battery charger, (2) battery, and (3) product using battery.
2. Do not disassemble battery cartridge.
3. If operating time has become excessively shorter, stop operating immediately. It may result in a risk of overheating, possible burns and even an explosion.
4. If electrolyte gets into your eyes, rinse them out with clear water and seek medical attention right away. It may result in loss of your eyesight.
5. Do not short the battery cartridge:
  - (1) Do not touch the terminals with any conductive material.
  - (2) Avoid storing battery cartridge in a container with other metal objects such as nails, coins, etc.
  - (3) Do not expose battery cartridge to water or rain.

A battery short can cause a large current flow, overheating, possible burns and even a breakdown.
6. Do not store the tool and battery cartridge in locations where the temperature may reach or exceed 50 °C (122 °F).
7. Do not incinerate the battery cartridge even if it is severely damaged or is completely worn out. The battery cartridge can explode in a fire.
8. Be careful not to drop or strike battery.
9. Do not use a damaged battery.
10. The contained lithium-ion batteries are subject to the Dangerous Goods Legislation requirements. For commercial transports e.g. by third parties, forwarding agents, special requirement on packaging and labeling must be observed. For preparation of the item being shipped, consulting an expert for hazardous material is required. Please also observe possibly more detailed national regulations. Tape or mask off open contacts and pack up the battery in such a manner that it cannot move around in the packaging.
11. Follow your local regulations relating to disposal of battery.

## SAVE THESE INSTRUCTIONS.

**⚠ CAUTION:** Only use genuine Makita batteries. Use of non-genuine Makita batteries, or batteries that have been altered, may result in the battery bursting causing fires, personal injury and damage. It will also void the Makita warranty for the Makita tool and charger.

## Tips for maintaining maximum battery life

1. Charge the battery cartridge before completely discharged. Always stop tool operation and charge the battery cartridge when you notice less tool power.
2. Never recharge a fully charged battery cartridge. Overcharging shortens the battery service life.
3. Charge the battery cartridge with room temperature at 10 °C - 40 °C (50 °F - 104 °F). Let a hot battery cartridge cool down before charging it.

## FUNCTIONAL DESCRIPTION

**CAUTION:** Always be sure that the tool is switched off and the battery cartridge is removed before adjusting or checking function on the tool.

### Using the tool as cordless hedge trimmer/grass shear

#### For MU04

This tool can be used as cordless hedge trimmer by installing the shear blades for hedge trimmer (optional accessory).

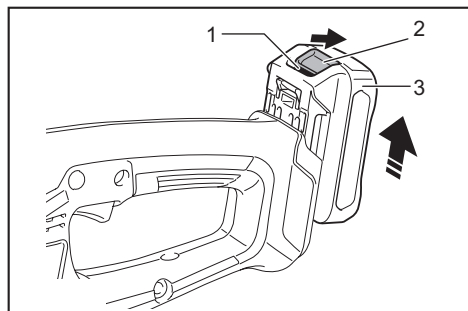
#### For HU06

This tool can be used as cordless grass shear by installing the shear blades for grass shear (optional accessory).

### Installing or removing battery cartridge

**CAUTION:** Always switch off the tool before installing or removing of the battery cartridge.

**CAUTION:** Hold the tool and the battery cartridge firmly when installing or removing battery cartridge. Failure to hold the tool and the battery cartridge firmly may cause them to slip off your hands and result in damage to the tool and battery cartridge and a personal injury.



► 1. Red indicator 2. Button 3. Battery cartridge

To remove the battery cartridge, slide it from the tool while sliding the button on the front of the cartridge.

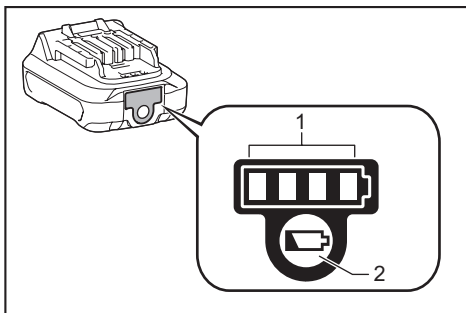
To install the battery cartridge, align the tongue on the battery cartridge with the groove in the housing and slip it into place. Insert it all the way until it locks in place with a little click. If you can see the red indicator on the upper side of the button, it is not locked completely.

**CAUTION:** Always install the battery cartridge fully until the red indicator cannot be seen. If not, it may accidentally fall out of the tool, causing injury to you or someone around you.

**CAUTION:** Do not install the battery cartridge forcibly. If the cartridge does not slide in easily, it is not being inserted correctly.

## Indicating the remaining battery capacity

Only for battery cartridges with the indicator



► 1. Indicator lamps 2. Check button

Press the check button on the battery cartridge to indicate the remaining battery capacity. The indicator lamps light up for few seconds.

Indicator lamps		Remaining capacity
Lighted	Off	
■ ■ ■ ■		75% to 100%
■ ■ ■ □		50% to 75%
■ ■ □ □		25% to 50%
■ □ □ □		0% to 25%

**NOTE:** Depending on the conditions of use and the ambient temperature, the indication may differ slightly from the actual capacity.

## Tool / battery protection system

The tool is equipped with a tool/battery protection system. This system automatically cuts off power to the motor to extend tool and battery life. The tool will automatically stop during operation if the tool or battery is placed under one of the following conditions:

### Overload protection

When the battery is operated in a manner that causes it to draw an abnormally high current, the tool automatically stops. In this situation, turn the tool off and stop the application that caused the tool to become overloaded. Then turn the tool on to restart.

### Overheat protection

When the tool or battery is overheated, the tool stops automatically and the lamp blinks. In this case, let the tool and battery cool before turning the tool on again.

## Overdischarge protection

When the battery capacity is not enough, the tool stops automatically. If you turn the tool on, the motor runs again but stops soon. In this case, remove the battery from the tool and charge the battery.

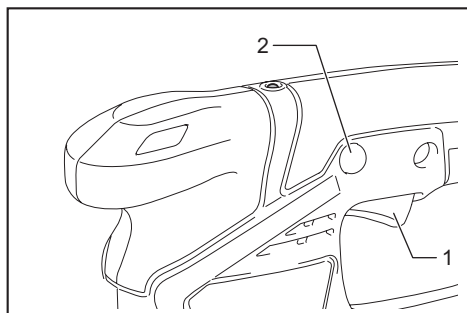
### Switch action

**⚠ WARNING:** Before installing the battery cartridge into the tool, always check to see that the switch trigger actuates properly and returns to the "OFF" position when released.

**⚠ WARNING:** For your safety, this tool is equipped with the lock-off button which prevents the tool from unintended starting. Never use the tool if it starts when you pull the switch trigger without pressing the lock-off button. Ask your local Makita Service Center for repairs.

**⚠ WARNING:** Never disable the lock function or tape down the lock-off button.

**NOTICE:** Do not pull the switch trigger forcibly without pressing the lock-off button. The switch may break.

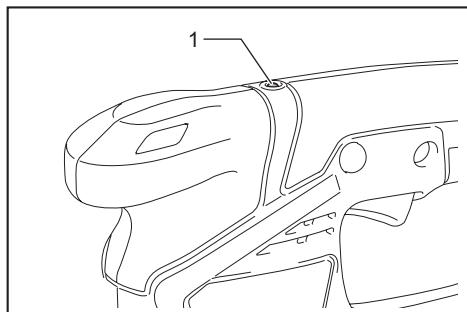


► 1. Switch trigger 2. Lock-off button

To start the tool, press the lock-off button and pull the switch trigger. Release the switch trigger to stop. The lock-off button can be pressed from either the right or left side.

### Indicator lamp

The indicator lamp blinks or lights up when the remaining battery capacity is low or empty. The indicator lamp also lights up when the tool becomes overloaded.



► 1. Indicator lamp

## Lamp status and action to be taken

Indicator lamp	Status	Action to be taken
The lamp blinks red.	The remaining battery capacity is low.	Charge the battery.
The lamp lights up red. *	The tool has stopped because the remaining battery capacity is empty.	Charge the battery.
	The tool has stopped due to overload.	Turn off the tool.

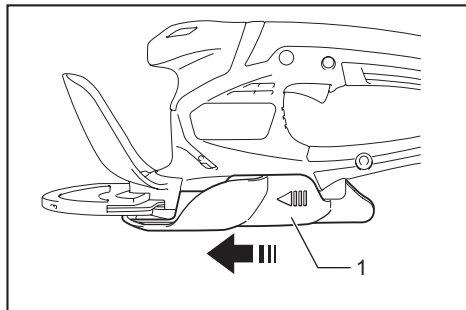
\* The time at which the indicator lamp lights up varies depending on the temperature around the work area and the battery cartridge conditions.

## Adjusting the shearing height (for grass shear)

**⚠ CAUTION:** When changing the shearing height, be sure to attach the blade cover and be careful not to trap fingers between the tool and grass receiver.

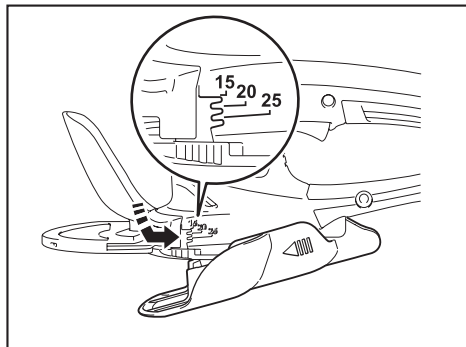
The shearing height can be set to three levels (15 mm (9/16"), 20 mm (13/16"), and 25 mm (1")) by changing the fixed position of the grass receiver. The shearing height without the grass receiver is about 10 mm (3/8").

1. Slide the grass receiver toward the front of the tool.



► 1. Grass receiver

2. Change the fixed position of the grass receiver by moving it in the direction of the arrow.



**NOTE:** The shearing height value is a guideline. The actual shearing height may vary depending on the condition of the lawn or the ground.

**NOTE:** Try a test shearing in a less conspicuous place to get your desired height.

## ASSEMBLY

**CAUTION:** Always be sure that the tool is switched off and the battery cartridge is removed before carrying out any work on the tool.

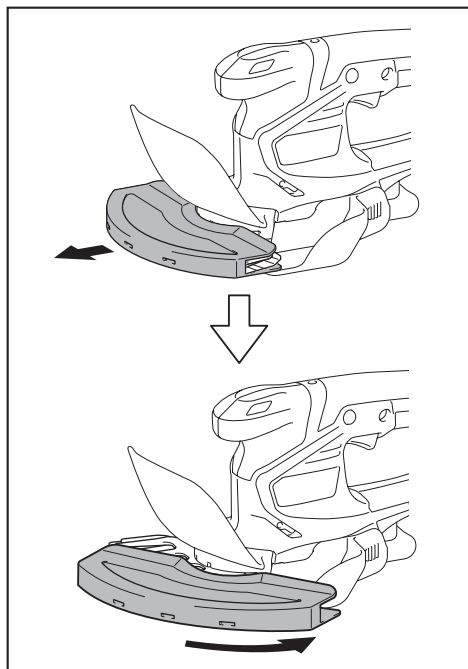
**CAUTION:** When replacing the shear blades, always wear gloves and attach the blade cover so that your hands and face do not directly contact the blades.

**NOTICE:** When replacing the shear blades, do not wipe off grease from the gear and crank.

## Installing or removing the blade cover

**CAUTION:** Be careful not to touch the blades when installing or removing the blade cover.

To remove the blade cover, pull it slightly, and then slide it sideways. To install the blade cover, perform the steps in reverse.

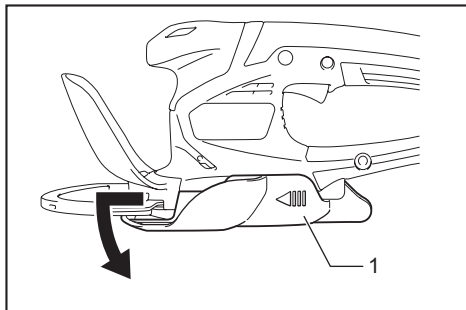


## Installing or removing the grass receiver

**CAUTION:** When installing or removing the grass receiver, be sure to attach the blade cover and be careful not to trap your fingers between the tool and grass receiver.

### Removing the grass receiver

1. Release the protrusions on the grass receiver from the grooves on the tool while sliding the grass receiver toward the front of the tool.

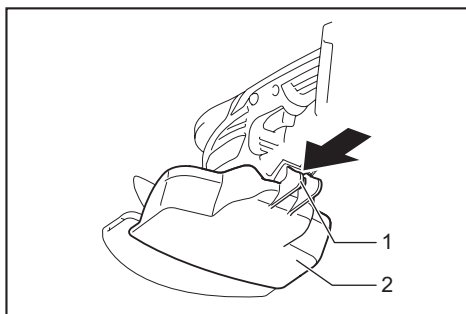


- 1. Grass receiver

2. Release the hinge of the grass receiver from the tool.

### Installing the grass receiver

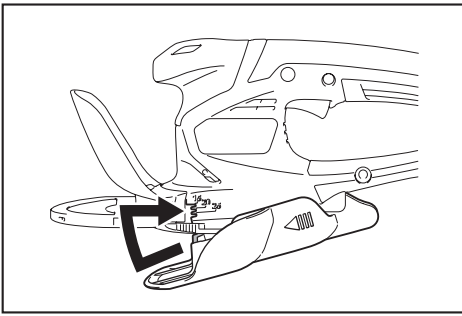
1. Hook the hinge of the grass receiver on the groove of the tool.



- 1. Hinge 2. Grass receiver

2. Align the protrusions on the grass receiver with the grooves on the tool by sliding the grass receiver toward the front of the tool and moving it in the direction of the arrow.



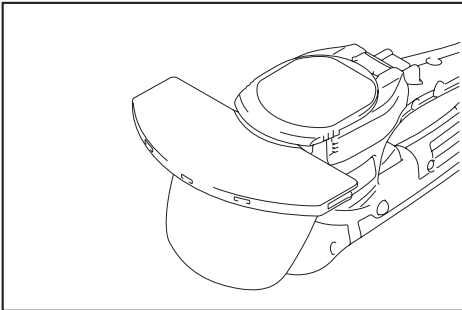




**NOTICE:** Do not attach the hinge of the grass receiver to the tool forcibly after aligning the protrusions on the grass receiver with the grooves on the tool.

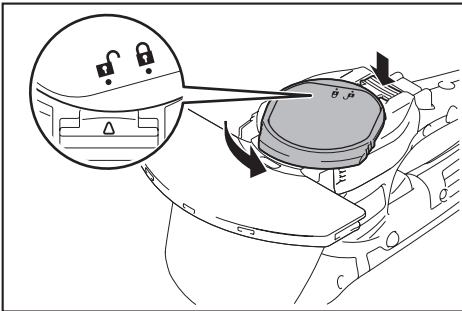
## Installing or removing the shear blades for grass shear

### Removing the shear blades

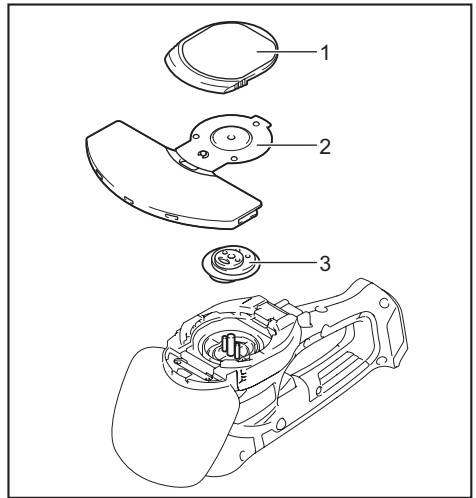
1. Remove the grass receiver and place the tool upside down.



2. While pressing the lock lever, turn the undercover counterclockwise until  on the undercover is aligned with  on the lock lever.



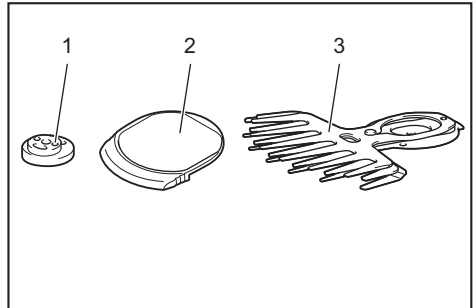
3. Remove the undercover, shear blades, and crank.



- 1. Undercover 2. Shear blades 3. Crank

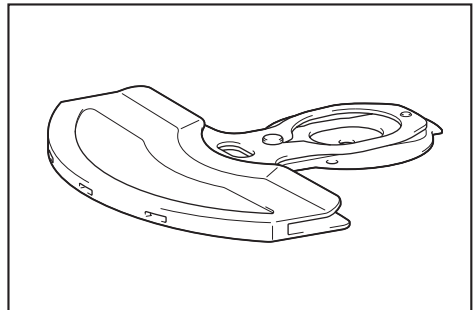
### Installing the shear blades

1. Prepare the crank, undercover, and new shear blades.

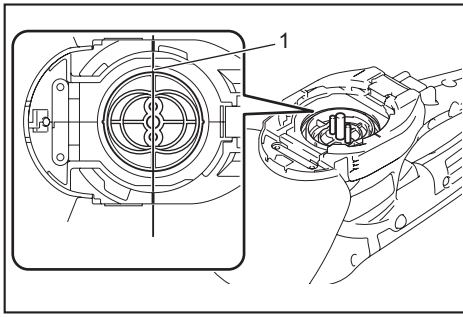


- 1. Crank 2. Undercover 3. Shear blades

2. Remove the blade cover from the old shear blades, and then attach it to the new ones.

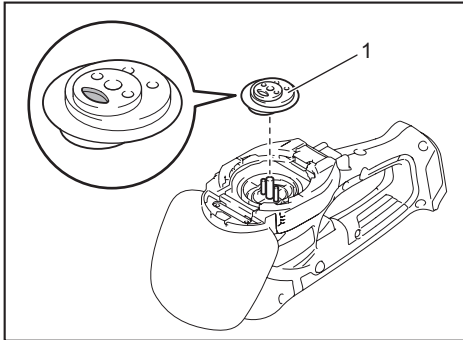


3. Adjust the three pins so that they are lined up on the alignment line.



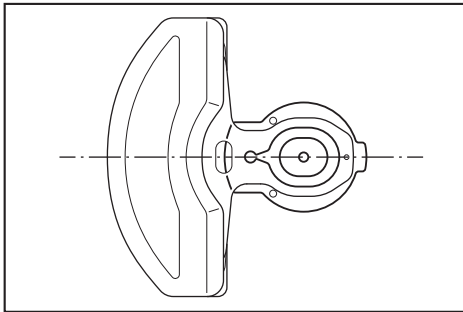
► 1. Alignment line

4. Apply a small amount of grease to the periphery of the crank. Attach the crank to the pins with the small and large rounds facing up.

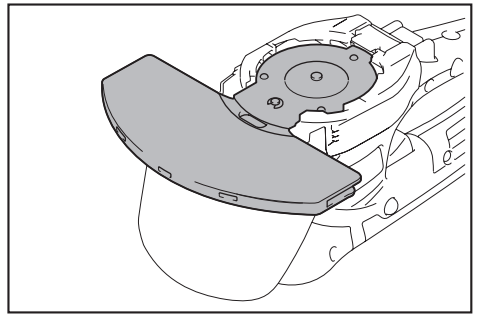




► 1. Crank

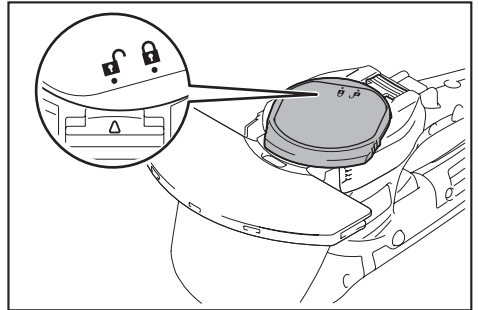
5. Adjust the blades and base plate so that the hole in the base plate and the two protrusions on the blades are lined up.





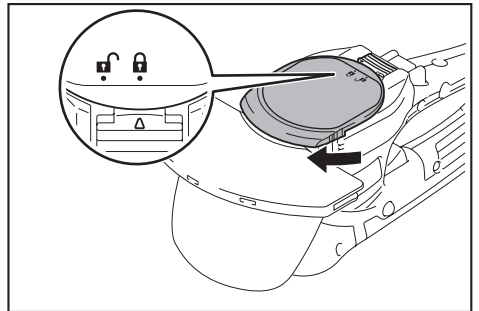
6. Turn the shear blades upside down and install them so that the pins on the tool fit in the hole on the base plate. Make sure that the shear blades are fixed securely in place.



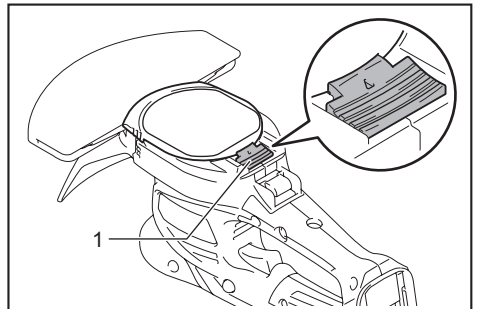
7. Place the undercover so that  on the undercover is aligned with  on the lock lever.



8. While pressing the undercover, turn the undercover clockwise until  on the undercover is aligned with  on the lock lever.



9. Make sure that the lock lever fits in the groove on the undercover.



► 1. Lock lever

**CAUTION:** Never use the tool without installing the undercover.

10. Remove the blade cover, and then turn on the tool to check that it works properly.

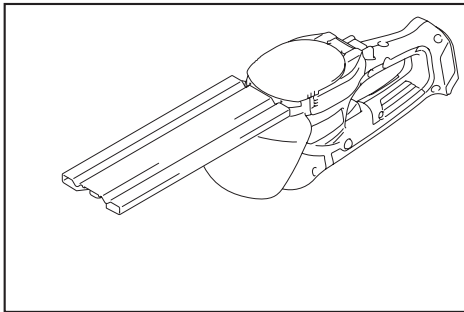
**NOTICE:** If the shear blades do not operate properly, the blades are not engaging the crank properly. Remove the blades and install them again.



## Installing or removing the shear blades for hedge trimmer

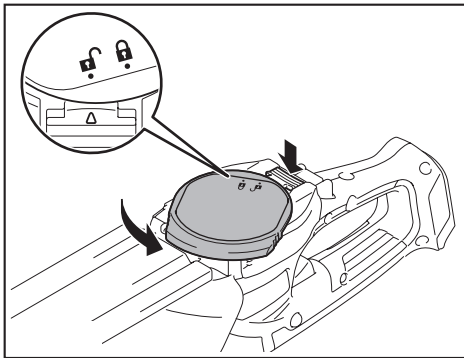
**CAUTION:** Attach the blade cover before removing or installing the shear blades.

### Removing the shear blades

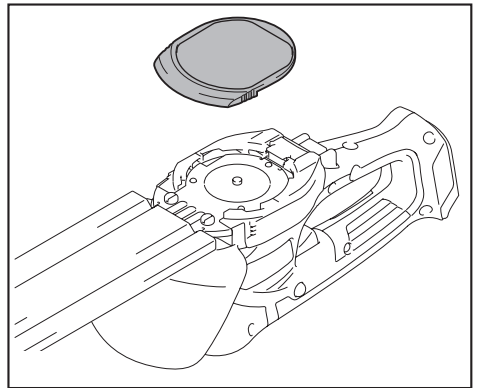
1. Place the tool upside down.



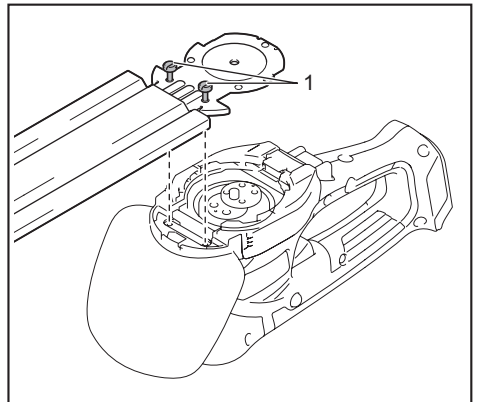
2. While pressing the lock lever, turn the undercover counterclockwise until  on the undercover is aligned with  on the lock lever.



3. Remove the undercover.



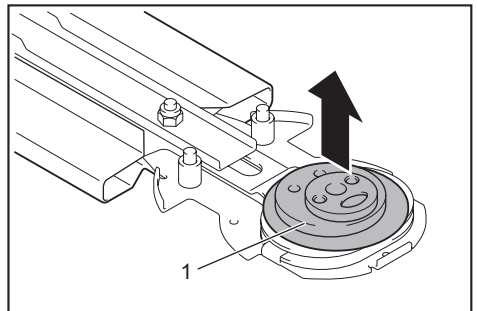
4. Loosen the two screws with a screwdriver and remove the shear blades.



► 1. Screws

**NOTE:** The shear blades can be removed without removing the screws.

5. Remove the crank from the shear blades.



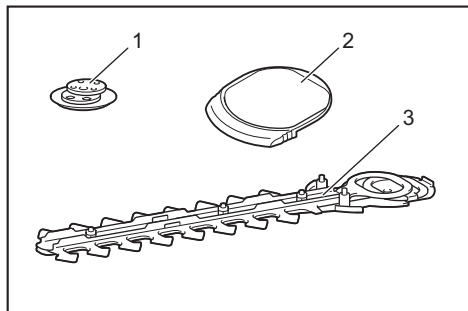
► 1. Crank

**NOTE:** The crank may remain in the tool.

Attach the blade cover and the storage case to the removed shear blades, and then store the blades.

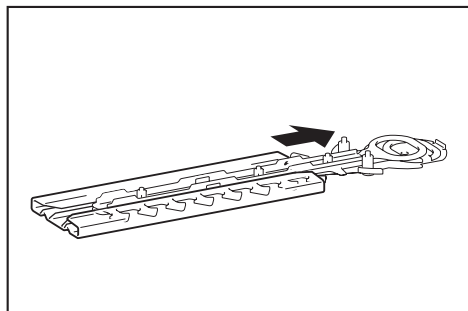
## Installing the shear blades

1. Prepare the crank, undercover, and new shear blades.

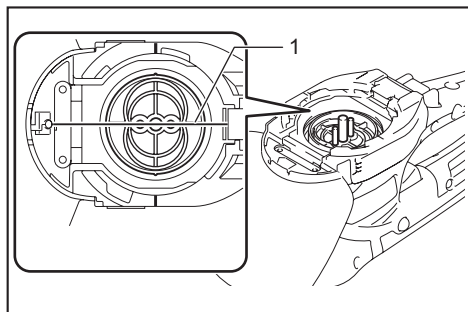


► 1. Crank 2. Undercover 3. Shear blades

2. Attach the blade cover to the shear blades.

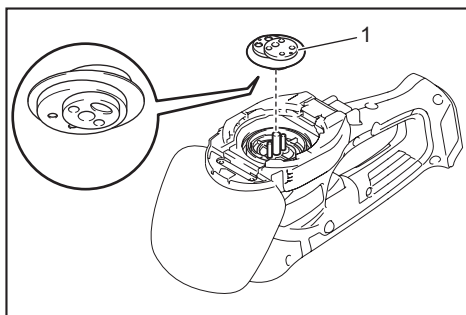


3. Adjust the three pins so that they are lined up on the alignment line.



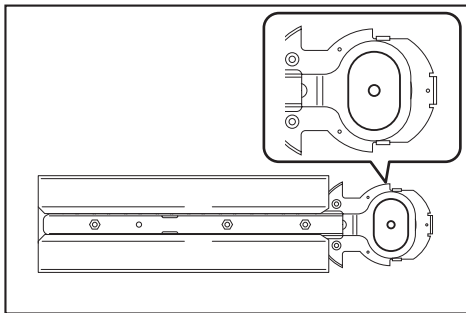
► 1. Alignment line

4. Apply a small amount of grease to the periphery of the crank. Attach the crank to the pins with the small and large rounds facing down.

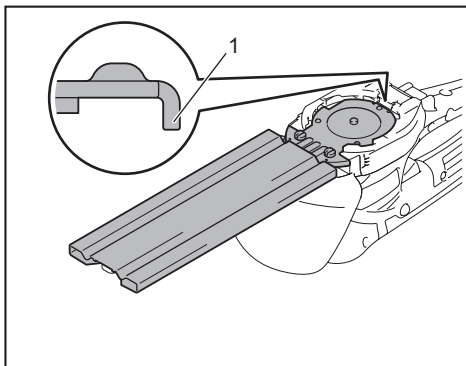


► 1. Crank

5. Slide the shear blades so that the hole on the base plate is positioned at the center of the rings of the blades.

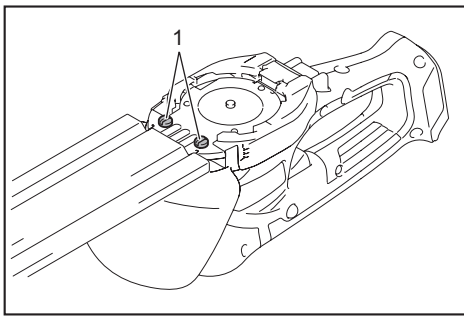


6. Turn the shear blades upside down and install them so that the pin on the tool fits in the hole on the shear blades. Insert the claw of the base plate into the groove on the tool. Make sure that the shear blades are fixed securely in place.





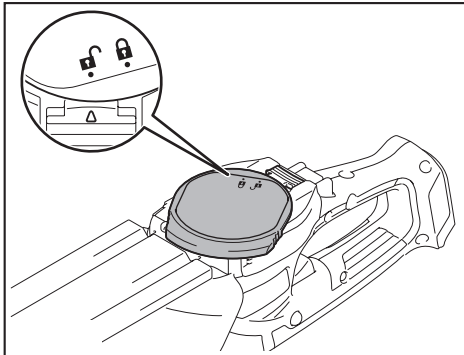
► 1. Claw



7. Tighten the two screws firmly with a screwdriver.

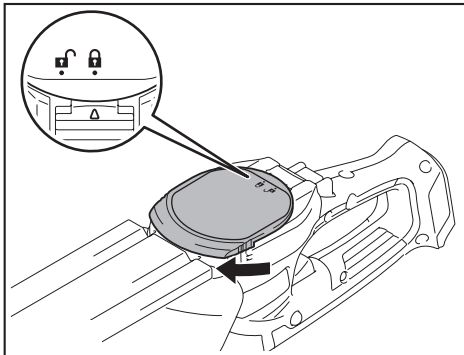


► 1. Screws

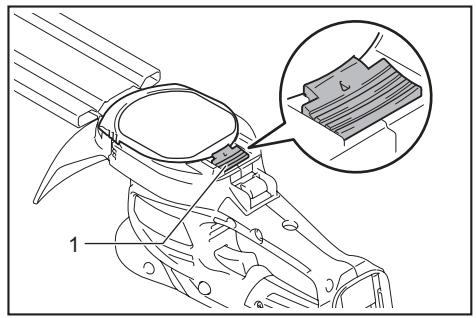
8. Place the undercover so that  on the undercover is aligned with  on the lock lever.



9. While pressing the undercover, turn it clockwise until  on the undercover is aligned with  on the lock lever.



10. Make sure that the lock lever fits in the groove on the undercover.



► 1. Lock lever

**CAUTION:** Never use the tool without installing the undercover.

11. Remove the blade cover, and then turn on the tool to check that it works properly.

**NOTICE:** If the shear blades do not operate properly, the blades are not engaging the crank properly. Remove the blades and install them again.

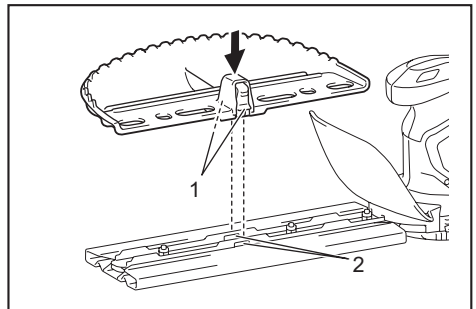
## Installing or removing the chip receiver

### Optional accessory

**CAUTION:** When installing or removing the chip receiver, always wear gloves and attach the blade cover so that your hands and face do not directly contact the blade.

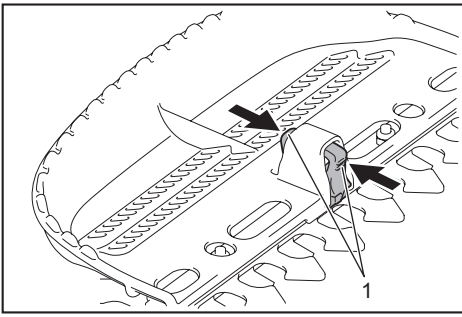
The chip receiver gathers discarded leaves and makes clean-up afterward much easier. It can be installed on either side of the tool.

To install the chip receiver, press it against the shear blades so that the hooks fit into the holes of the shear blades.



► 1. Hooks 2. Holes

To remove the chip receiver, press the levers on both sides to release the hooks.



► 1. Levers

**NOTICE:** Never try to remove the chip receiver by an excessive force with its hooks locked in the holes of the blades.

## OPERATION

**⚠ WARNING:** Before shearing, clear away sticks and stones from the shearing area. Furthermore, clear away any weeds from the shearing area in advance.

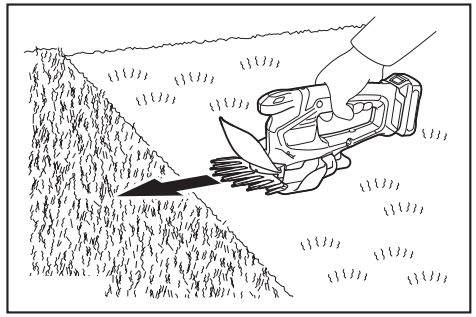


**⚠ WARNING:** Keep hands away from blades.

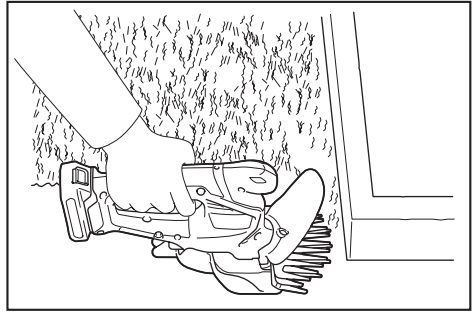
**⚠ CAUTION:** Avoid operating the tool in very hot weather as much as practicable. When operating the tool, be careful of your physical condition.

### Shearing (for grass shear)

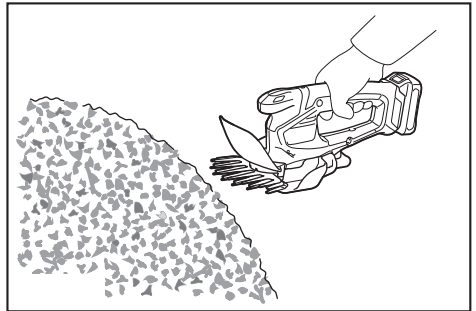
Turn the tool on after adjusting the shearing height and hold it so that the bottom of the tool rests on the ground. Gently move the tool forward.



When trimming around curbs, fences or trees, move the tool along them. Be careful that the blades do not come into contact with them.



When trimming sprouts or foliage of a small tree, trim little by little.



Trim large branches to the desired height using branch cutters before using this tool.

**NOTICE:** Do not use the tool in a way that causes the motor to stop or to rotate extremely slowly.

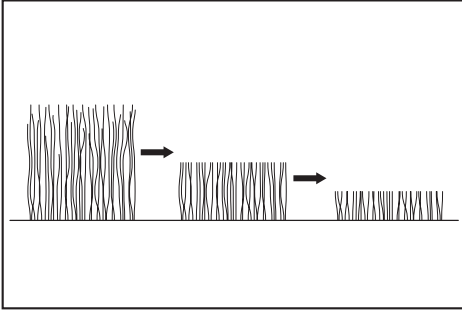
**NOTICE:** Do not attempt to cut thick branches.

**NOTICE:** Do not allow the shear blades to contact the ground during operation. The blades will be dulled, causing poor performance.

**NOTICE:** Do not trim the wet grass or foliage of small trees.

## Cutting long lawn

Do not try to cut long grass all at once. Instead, cut the lawn in steps. Leave a day or two between cuts until the lawn becomes evenly short.



**NOTE:** Cutting long grass to a short length all at once may cause the grass to die.

## Trimming (for hedge trimmer)

**CAUTION:** Be careful not to accidentally contact a metal fence or other hard objects while trimming. The blades may break and cause an injury.

**CAUTION:** Be careful not to allow the shear blades to contact the ground. The tool may recoil and cause an injury.

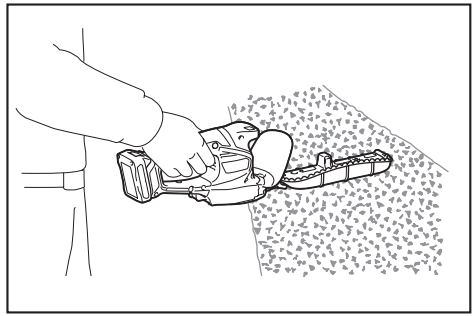
**CAUTION:** Overreaching with a hedge trimmer, particularly from a ladder, is extremely dangerous. Do not work while standing on anything wobbly or infirm.

**NOTICE:** Do not attempt to cut branches thicker than 10 mm in diameter with the tool. Cut branches to the desired height using branch cutters before using the tool.

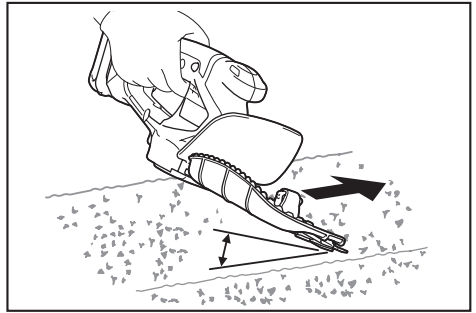
**NOTICE:** Do not cut down dead trees or similar hard objects. Doing so may damage the tool.

**NOTICE:** Do not trim the grass or weeds while using the shear blades. The blades may become tangled in the grass or weeds.

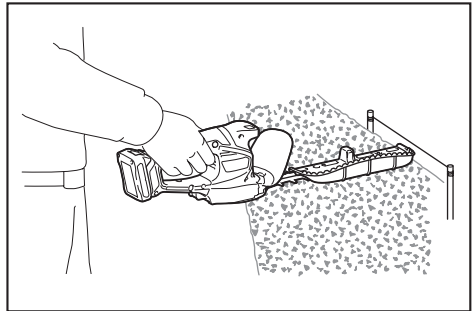
Hold the tool with one hand, pull the switch trigger while pressing the lock-off button, and then move it forward.



For basic operation, tilt the blades toward the trimming direction and move it calmly and slowly at the speed rate of 3 to 4 seconds per meter.

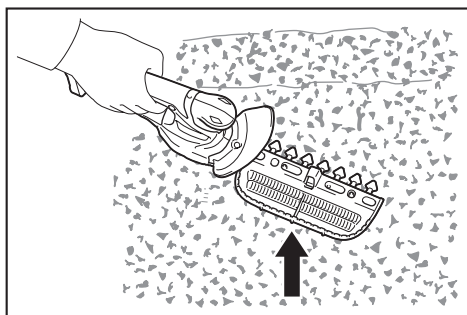


To tie a string at the desired height and to trim along it help you to cut a hedge top evenly.

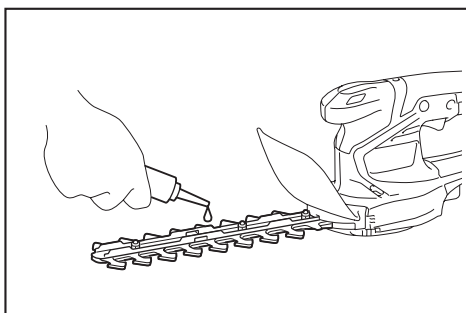
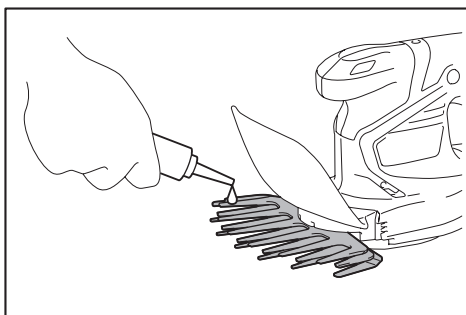
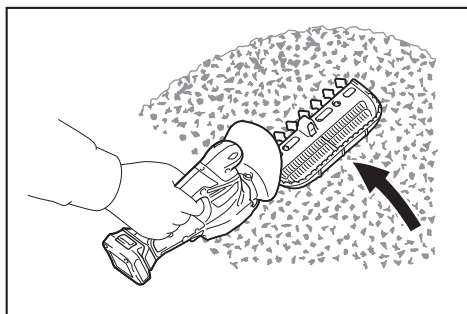


If the chip receiver is attached to the blades, it gathers discarded leaves and makes clean-up afterward much easier.

To cut a hedge side evenly, cut from the bottom to top.



When trimming to make a round shape (trimming boxwood or rhododendron, etc.), trim from the root to the top for a beautiful finish.



After operation, remove dust from both sides of the blades with a wired brush, wipe it off with a cloth and then apply low-viscosity oil (machine oil, or spray-type lubricating oil) to the blades.

## MAINTENANCE

**CAUTION:** Always be sure that the tool is switched off and the battery cartridge is removed before attempting to perform inspection or maintenance.

To maintain product SAFETY and RELIABILITY, repairs, any other maintenance or adjustment should be performed by Makita Authorized or Factory Service Centers, always using Makita replacement parts.

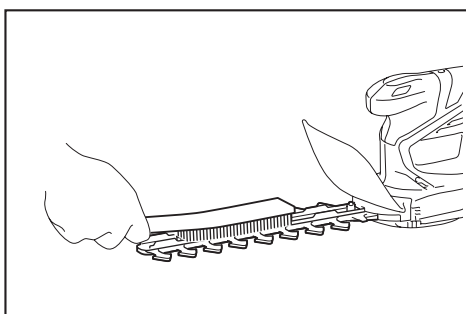
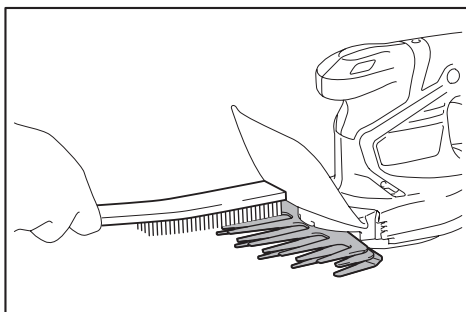
### Cleaning the tool

Clean the tool by wiping off dust with a dry cloth or one dipped in soapy water and wrung out.

**NOTICE:** Never use gasoline, benzine, thinner, alcohol or the like. Discoloration, deformation or cracks may result.

### Blade maintenance

Before the operation or once per hour during operation, apply low-viscosity oil (machine oil, or spray-type lubricating oil) to the blades.



**NOTICE:** Do not wash the blades in water. Doing so may cause rust or damage to the tool.

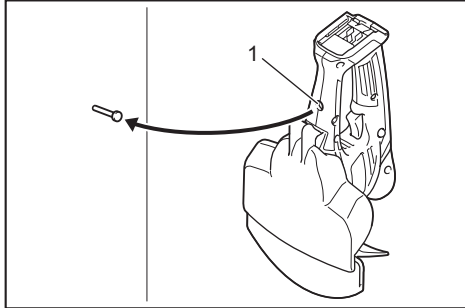


**NOTICE:** Dirt and corrosion cause excessive blade friction and shorten the operating time per battery charge.

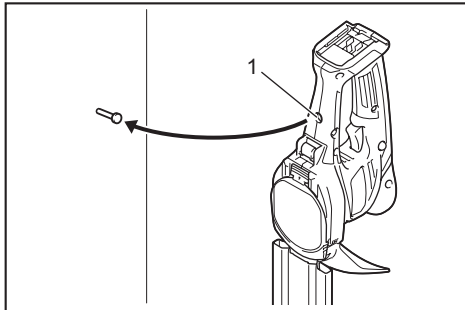
## Storage

The hook hole in the tool bottom is convenient for hanging the tool from a nail or screw on the wall.

Attach the blade cover to the shear blades so that the blades are not exposed. Store the tool out of the reach of children. Store the tool in a place not exposed to moisture or rain.



► 1. Hole



► 1. Hole

- Long handle attachment (for grass shear use)
- Shear blade assembly (for hedge trimmer use)
- Shear blade cover (for hedge trimmer use)
- Chip receiver (for hedge trimmer use)
- Storage case
- Makita genuine battery and charger

**NOTE:** Some items in the list may be included in the tool package as standard accessories. They may differ from country to country.

## MAKITA LIMITED ONE YEAR WARRANTY

### Warranty Policy

Every Makita tool is thoroughly inspected and tested before leaving the factory. It is warranted to be free of defects from workmanship and materials for the period of ONE YEAR from the date of original purchase. Should any trouble develop during this one year period, return the COMPLETE tool, freight prepaid, to one of Makita's Factory or Authorized Service Centers. If inspection shows the trouble is caused by defective workmanship or material, Makita will repair (or at our option, replace) without charge.

This Warranty does not apply where:

- repairs have been made or attempted by others:
- repairs are required because of normal wear and tear:
- the tool has been abused, misused or improperly maintained:
- alterations have been made to the tool.

IN NO EVENT SHALL MAKITA BE LIABLE FOR ANY INDIRECT, INCIDENTAL OR CONSEQUENTIAL DAMAGES FROM THE SALE OR USE OF THE PRODUCT. THIS DISCLAIMER APPLIES BOTH DURING AND AFTER THE TERM OF THIS WARRANTY.

MAKITA DISCLAIMS LIABILITY FOR ANY IMPLIED WARRANTIES, INCLUDING IMPLIED WARRANTIES OF "MERCHANTABILITY" AND "FITNESS FOR A SPECIFIC PURPOSE," AFTER THE ONE YEAR TERM OF THIS WARRANTY.

This Warranty gives you specific legal rights, and you may also have other rights which vary from state to state. Some states do not allow the exclusion or limitation of incidental or consequential damages, so the above limitation or exclusion may not apply to you. Some states do not allow limitation on how long an implied warranty lasts, so the above limitation may not apply to you.

## OPTIONAL ACCESSORIES

**CAUTION:** These accessories or attachments are recommended for use with your Makita tool specified in this manual. The use of any other accessories or attachments might present a risk of injury to persons. Only use accessory or attachment for its stated purpose.

If you need any assistance for more details regarding these accessories, ask your local Makita Service Center.

- Shear blade assembly (for grass shear use)
- Shear blade cover (for grass shear use)
- Grass receiver (for grass shear use)

## ESPECIFICACIONES

### Modelo MU04 con cuchilla de cizalla instalada para tijeras para hierba

Modelo:	MU04
Ancho de corte	160 mm (6-5/16")
Carreras por minuto	2 500 cpm
Dimensiones (La x An x Al)	347 mm x 177 mm x 131 mm (13-5/8" x 7" x 5-1/8")
Tensión nominal	10,8 V c.c. - 12 V c.c. máx.
Cartucho de batería estándar	BL1016 / BL1021B / BL1041B
Peso neto	1,3 kg - 1,4 kg (2,8 lbs - 3,2 lbs)

### Modelo HU06 con cuchilla de cizalla instalada para cortasetos

Modelo:	HU06
Longitud de la cuchilla	200 mm (7-7/8")
Carreras por minuto	2 500 cpm
Dimensiones (La x An x Al)	504 mm x 120 mm x 131 mm (19-7/8" x 4-3/4" x 5-1/8")
Tensión nominal	10,8 V c.c. - 12 V c.c. máx.
Cartucho de batería estándar	BL1016 / BL1021B / BL1041B
Peso neto	1,3 kg - 1,5 kg (2,9 lbs - 3,3 lbs)

- Debido a nuestro continuo programa de investigación y desarrollo, las especificaciones aquí incluidas están sujetas a cambio sin previo aviso.
- Las especificaciones y el cartucho de batería pueden variar de país a país.
- Peso de acuerdo al procedimiento de EPTA-01/2003 incluyendo el cartucho de batería

## ADVERTENCIAS DE SEGURIDAD

### Advertencias generales de seguridad para herramientas eléctricas

**⚠️ ADVERTENCIA:** Lea todas las advertencias de seguridad e instrucciones. El no seguir las advertencias e instrucciones indicadas puede ocasionar una descarga eléctrica, un incendio y/o lesiones graves.

### Conserve todas las advertencias e instrucciones como referencia en el futuro.

En las advertencias, el término "herramienta eléctrica" se refiere a su herramienta eléctrica de funcionamiento con conexión a la red eléctrica (con cableado eléctrico) o herramienta eléctrica de funcionamiento a batería (inalámbrica).

#### Seguridad en el área de trabajo

1. **Mantenga el área de trabajo limpia y bien iluminada.** Las áreas oscuras o desordenadas son propensas a accidentes.

2. **No utilice las herramientas eléctricas en atmósferas explosivas, tal como en la presencia de líquidos, gases o polvo inflamables.** Las herramientas eléctricas crean chispas que pueden prender fuego al polvo o los humos.
3. **Mantenga a los niños y curiosos alejados mientras utiliza una herramienta eléctrica.** Las distracciones le pueden hacer perder el control.

#### Seguridad eléctrica

1. **Las clavijas de conexión de las herramientas eléctricas deberán encajar perfectamente en la toma de corriente. No modifique nunca la clavija de conexión de ninguna forma. No utilice ninguna clavija adaptadora con herramientas eléctricas que tengan conexión a tierra (puesta a tierra).** La utilización de clavijas no modificadas y que encajen perfectamente en la toma de corriente reducirá el riesgo de que se produzca una descarga eléctrica.
2. **Evite tocar con el cuerpo superficies conectadas a tierra o puestas a tierra tales como tubos, radiadores, cocinas y refrigeradores.** Si su cuerpo es puesto a tierra o conectado a tierra existirá un mayor riesgo de que sufra una descarga eléctrica.
3. **No exponga las herramientas eléctricas a la lluvia ni a condiciones húmedas.** La entrada de agua en una herramienta eléctrica aumentará el riesgo de que se produzca una descarga eléctrica.

4. **No maltrate el cable. Nunca utilice el cable para transportar, jalar o desconectar la herramienta eléctrica. Mantenga el cable alejado del calor, aceite, objetos cortantes o piezas móviles.** Los cables dañados o enredados aumentan el riesgo de sufrir una descarga eléctrica.
5. **Cuando utilice una herramienta eléctrica en exteriores, utilice un cable de extensión apropiado para uso en exteriores.** La utilización de un cable apropiado para uso en exteriores reducirá el riesgo de que se produzca una descarga eléctrica.
6. **Si no es posible evitar usar una herramienta eléctrica en condiciones húmedas, utilice un alimentador protegido con interruptor de circuito de falla a tierra (ICFT).** El uso de un ICFT reduce el riesgo de descarga eléctrica.
3. **Desconecte la clavija de la fuente de energía y/o la batería de la herramienta eléctrica antes de realizar ajustes, cambiar accesorios o guardar las herramientas eléctricas.** Dichas medidas de seguridad preventivas reducen el riesgo de que la herramienta se inicie accidentalmente.
4. **Guarde la herramienta eléctrica que no use fuera del alcance de los niños y no permita que las personas que no están familiarizadas con ella o con las instrucciones la operen.** Las herramientas eléctricas son peligrosas en manos de personas que no saben operarlas.
5. **Realice el mantenimiento a las herramientas eléctricas. Compruebe que no haya partes móviles desalineadas o estancadas, piezas rotas y cualquier otra condición que pueda afectar al funcionamiento de la herramienta eléctrica. Si la herramienta eléctrica está dañada, haga que se la reparen antes de utilizarla.** Muchos accidentes son ocasionados por herramientas eléctricas con mantenimiento inadecuado.

### Seguridad personal

1. **Manténgase alerta, preste atención a lo que está haciendo y utilice su sentido común cuando opere una herramienta eléctrica. No utilice una herramienta eléctrica cuando esté cansado o bajo la influencia de drogas, alcohol o medicamentos.** Un momento de distracción mientras opera las herramientas eléctricas puede terminar en una lesión grave.
2. **Use equipo de protección personal. Póngase siempre protección para los ojos.** El equipo protector tal como máscara contra el polvo, zapatos de seguridad antiderrapantes, casco rígido y protección para oídos utilizado en las condiciones apropiadas reducirá el riesgo de lesiones.
3. **Impida el encendido accidental. Asegúrese de que el interruptor esté en la posición de apagado antes de conectar a la alimentación eléctrica y/o de colocar el cartucho de batería, así como al levantar o cargar la herramienta.** Cargar las herramientas eléctricas con su dedo en el interruptor o enchufarlas con el interruptor encendido hace que los accidentes sean comunes.
4. **Retire cualquier llave de ajuste o llave de apriete antes de encender la herramienta.** Una llave de ajuste o llave de apriete que haya sido dejada puesta en una parte giratoria de la herramienta eléctrica puede ocasionar alguna lesión.
5. **No utilice la herramienta donde no alcance. Mantenga los pies sobre suelo firme y el equilibrio en todo momento.** Esto permite un mejor control de la herramienta eléctrica en situaciones inesperadas.
6. **Use vestimenta apropiada. No use ropas sueltas ni joyas. Mantenga el cabello, la ropa y los guantes alejados de las piezas móviles.** Las prendas de vestir holgadas, las joyas y el cabello suelto podrían engancharse en las piezas móviles.
7. **Si dispone de dispositivos para la conexión de equipos de extracción y recolección de polvo, asegúrese de conectarlos y utilizarlos debidamente.** Hacer uso de la recolección de polvo puede reducir los riesgos relacionados con el polvo.
5. **Utilice la herramienta eléctrica, los accesorios y las brocas de acuerdo con estas instrucciones, considerando las condiciones laborales y el trabajo a realizar.** Si utiliza la herramienta eléctrica para realizar operaciones distintas de las indicadas, podrá presentarse una situación peligrosa.

### Uso y cuidado de la herramienta a batería

1. **Recargue sólo con el cargador especificado por el fabricante.** Un cargador que es adecuado para un solo tipo de batería puede generar riesgo de incendio al ser utilizado con otra batería.
2. **Utilice las herramientas eléctricas solamente con las baterías designadas específicamente para ellas.** La utilización de cualquier otra batería puede crear un riesgo de lesiones o incendio.
3. **Cuando no se esté usando la batería, manténgala alejada de otros objetos metálicos, como sujetapapeles (clips), monedas, llaves, clavos, tornillos u otros objetos pequeños de metal los cuales pueden actuar creando una conexión entre las terminales de la batería.** Originar un cortocircuito en las terminales puede causar quemaduras o incendios.
4. **En condiciones abusivas, podrá escapar líquido de la batería; evite tocarlo. Si lo toca accidentalmente, enjuague con agua. Si hay contacto del líquido con los ojos, busque asistencia médica.** Puede que el líquido expulsado de la batería cause irritación o quemaduras.
5. **No utilice una herramienta ni una batería que estén dañadas o hayan sido modificadas.** Las baterías dañadas o modificadas podrían ocasionar una situación inesperada provocando un incendio, explosión o riesgo de lesiones.
6. **No exponga la herramienta ni la batería al fuego ni a una temperatura excesiva.** La exposición al fuego o a una temperatura superior a los 130 °C podría causar una explosión.

### Mantenimiento y uso de la herramienta eléctrica

1. **No fuerce la herramienta eléctrica. Utilice la herramienta eléctrica correcta para su aplicación.** La herramienta eléctrica adecuada hará un mejor trabajo y de forma más segura a la velocidad para la que ha sido fabricada.
2. **No utilice la herramienta eléctrica si el interruptor no la enciende y apaga.** Cualquier herramienta eléctrica que no pueda ser controlada con el interruptor es peligrosa y debe ser reemplazada.

7. **Siga todas las instrucciones para la carga y evite cargar la herramienta o la batería fuera del rango de temperatura especificado en las instrucciones.** Una carga inadecuada o a una temperatura fuera del rango especificado podría dañar la batería e incrementar el riesgo de incendio.

#### Servicio

1. **Haga que una persona calificada repare la herramienta eléctrica utilizando sólo piezas de repuesto idénticas.** Esto asegura que se mantenga la seguridad de la herramienta eléctrica.
2. **Siga las instrucciones para la lubricación y cambio de accesorios.**
3. **Mantenga las agarraderas secas, limpias y sin aceite o grasa.**

### Advertencias de seguridad para las tijeras inalámbricas para hierba

**⚠️ ADVERTENCIA:** Al utilizar aparatos eléctricos de jardinería, siempre deben tomarse en cuenta las precauciones básicas de seguridad a fin de reducir el riesgo de incendio, descarga eléctrica y lesiones personales, incluido lo siguiente:

### LEA TODAS LAS INSTRUCCIONES.

1. **Tenga presente que este aparato se encuentra siempre en condiciones de funcionamiento, ya que no es necesario conectarlo a una toma de corriente eléctrica.**
2. **No utilice los aparatos en atmósferas explosivas, tal como en la presencia de líquidos, gases o polvo inflamables.** Los aparatos crean chispas que pueden prender fuego al polvo o los humos.
3. **Evite los entornos peligrosos** - No utilice los aparatos en lugares húmedos o mojados.
4. **No utilice ni cargue el aparato bajo la lluvia o en lugares mojados.**
5. **Mantenga alejados a los niños** - Todos los espectadores deberán permanecer a cierta distancia del área de trabajo.
6. **Use una vestimenta adecuada** - Evite llevar puesta ropa holgada o alhajas. Éstas podrían engancharse en las piezas móviles. Cuando se trabaje en exteriores es recomendable usar guantes de hule y un calzado resistente. Lleve protección en el cabello para cubrirlo en caso de tenerlo largo.
7. **Utilice un equipo de seguridad. Use siempre protección para los ojos.** La máscara contra polvo, los zapatos de seguridad antiderrapantes, el casco rígido o la protección para los oídos deberán utilizarse bajo las condiciones apropiadas.
8. **Utilice el aparato correctamente** - Evite usar el aparato para otros trabajos que no sean para el cual está diseñado.
9. **Evite la puesta en marcha accidental** - No cargue el aparato con el dedo puesto en el interruptor. Asegúrese de que el interruptor se encuentre apagado antes de instalar el paquete de batería.
10. **Evite tocar las cuchillas o bordes de corte expuestos cuando levante o sostenga el aparato.**
11. **No fuerce el aparato** - Éste hará mejor el trabajo y el riesgo de lesiones será menos probable si se usa a la velocidad para la cual fue diseñado.
12. **Evite usar el aparato donde no alcance** - Pise sobre suelo firme y mantenga el equilibrio en todo momento.
13. **Manténgase alerta** - Preste atención a lo que está haciendo. Utilice el sentido común. No utilice el aparato cuando esté cansado.
14. **Almacene los aparatos que no utilice en interiores** - Cuando no se vayan a usar, los aparatos deberán ser almacenados en interiores en un lugar seco y elevado o cerrado con llave fuera del alcance de los niños.
15. **Dé un mantenimiento cuidadoso al aparato** - Mantenga el borde de corte afilado y limpio para lograr un desempeño óptimo y reducir así el riesgo de lesiones. Siga las instrucciones para la lubricación y el cambio de los accesorios. Inspeccione el cable del aparato periódicamente y en caso de presentar daños, llévelo a reparar a una instalación de servicio autorizada. Inspeccione los cables de extensión regularmente y reemplácelos en caso de estar dañados. Mantenga los mangos secos, limpios, y libres de aceite y grasa.
16. **Revise las piezas dañadas** - Antes de continuar usando el aparato, cualquier protector o pieza dañada deberán revisarse cuidadosamente para confirmar que puedan funcionar debidamente y realizar la función para la que fueron diseñados. Verifique la alineación de las piezas móviles, la unión de las mismas, roturas de las piezas, la instalación y cualquier otra condición que pueda afectar su funcionamiento. Cualquier protector o pieza dañada deberán ser debidamente reparados o reemplazados por un centro de servicio autorizado salvo que se especifique lo contrario en otra parte de este manual.
17. **Un aparato que funcione con baterías integradas o con un paquete de batería por separado deberá ser recargado solamente con el cargador especificado para dichas baterías.** Un cargador que sea adecuado para un tipo específico de paquete de batería puede generar un riesgo de incendio al usarse con un paquete de batería distinto.
18. **Utilice un aparato a batería solamente con el paquete de batería designado específicamente para ello.** El uso de cualquier otro tipo de baterías podría generar riesgo de incendio.
19. **Retire cualquier llave de ajuste o llave de apriete antes de encender el aparato.** Cualquier llave de apriete o de ajuste que se deje puesta en una pieza giratoria del aparato podría provocar lesiones personales.
20. **No utilice la herramienta eléctrica si el interruptor no la enciende ni la apaga.** Cualquier aparato que no pueda ser controlado con el interruptor es peligroso y deberá ser reparado.
21. **Desconecte el paquete de batería del aparato o coloque el interruptor en la posición bloqueada o apagada antes de realizar cualquier ajuste, cambio de accesorios, limpieza, extracción de material del aparato o el almacenamiento del mismo.** Tales medidas de seguridad preventivas reducirán el riesgo de que el aparato sea puesto en marcha accidentalmente.

22. Cuando no se esté usando el paquete de batería, manténgalo alejado de otros objetos metálicos, como sujetapapeles (clips), monedas, llaves, clavos, tornillos u otros objetos pequeños de metal que puedan crear una conexión entre una terminal y otra. Causar un cortocircuito en las terminales de la batería podría causar chispas, quemaduras o un incendio.
23. Utilice únicamente los accesorios recomendados por el fabricante de su modelo. Los accesorios que puedan ser adecuados para cierto aparato podrían crear un riesgo de lesiones al ser utilizados en otro aparato.
24. El servicio del aparato solamente deberá ser realizado por personal de reparaciones calificado. El servicio o mantenimiento realizados por personal no calificado podría ocasionar un riesgo de lesiones.
25. Cuando se dé servicio al aparato, utilice únicamente piezas de repuesto idénticas. Siga las instrucciones contenidas en la sección Mantenimiento de este manual. El uso de piezas no autorizadas o el no seguir las instrucciones de mantenimiento podría crear riesgo de descarga eléctrica o lesiones.
26. Mantenga las manos alejadas de las cuchillas.
27. Antes de cortar hierba, retire cualquier material extraño tales como rocas o varas largas del área de trabajo. Tenga cuidado de que ningún material extraño se quede atorado entre las cuchillas, de lo contrario las cuchillas podrían atascarse. Si esto llegara a suceder, apague el aparato. Luego elimine la obstrucción de las cuchillas.
28. Asegúrese de colocar la cubierta de las cuchillas cuando no las vaya a utilizar.
4. PELIGRO - Mantenga las manos alejadas de la cuchilla. El contacto con la cuchilla podría ocasionar lesiones personales graves.
5. No utilice el cortasetos bajo la lluvia o en lugares mojados ni en condiciones de mucha humedad. El motor eléctrico no es a prueba de agua.
6. Un usuario con experiencia deberá enseñar a los usuarios primerizos cómo manejar el cortasetos.
7. El cortasetos no deberá ser utilizado por niños ni por personas menores de 18 años. Esta restricción podrá pasarse por alto para personas mayores de 16 años siempre que reciban la capacitación correspondiente bajo la supervisión de un experto.
8. Utilice el cortasetos sólo si se encuentra en buena condición física. Si está cansado, su atención se verá disminuida. Sea especialmente cuidadoso al término de una jornada laboral. Realice todo el trabajo tranquila y cuidadosamente. El usuario será responsable de todos los daños a terceras personas.
9. Nunca utilice el cortasetos si está bajo la influencia de alcohol, drogas o algún medicamento.
10. Los guantes de trabajo hechos de piel gruesa forman parte del equipo básico del cortasetos y deberán usarse siempre que se trabaje con éste. Utilice también zapatos resistentes con suelas antiderrapantes.
11. Antes de comenzar el trabajo, revise el cortasetos para asegurarse de que esté en buen estado y en condiciones seguras de funcionamiento. Asegúrese de que los protectores estén colocados correctamente. El cortasetos no deberá ser utilizado hasta que se encuentre totalmente ensamblado.
12. Asegúrese de pisar firmemente antes de comenzar la operación.
13. Siempre que utilice la herramienta sosténgala firmemente.
14. No opere la herramienta sin carga innecesariamente.
15. Si la pieza de corte entra en contacto con alguna cerca u otro objeto duro, apague inmediatamente el motor y retire el cartucho de batería. Verifique si la cortadora presenta algún daño, de ser así deberá ser reparada de inmediato.
16. Siempre apague el cortasetos y retire el cartucho de batería antes de revisar la cortadora, enmendar fallas o retirar algún material atorado en la cortadora.
17. Apague el cortasetos y retire el cartucho de batería antes de realizar cualquier trabajo de mantenimiento.
18. Siempre que traslade el cortasetos a otro lugar, aun durante el trabajo, retire el cartucho de batería y coloque la cubierta de las cuchillas para cubrir las cuchillas de corte. Nunca cargue ni transporte el cortasetos con la cortadora funcionando. Nunca sostenga la cortadora con sus manos.

**⚠ADVERTENCIA:** NO DEJE que la comodidad o familiaridad con el producto (a base de utilizarlo repetidamente) evite que siga estrictamente las normas de seguridad para dicho producto. El USO INCORRECTO o el no seguir las normas de seguridad indicadas en este manual de instrucciones puede ocasionar lesiones graves.

## Advertencias de seguridad para el cortasetos inalámbrico

1. Mantenga todas las partes del cuerpo alejadas de la cuchilla de corte. No retire ni sostenga el material que va a cortar cuando las cuchillas estén en movimiento. Las cuchillas siguen girando por inercia aún después de apagadas. Asegúrese de que el interruptor se encuentre apagado antes de despejar el material atascado. Un momento de distracción mientras opera el cortasetos podría ocasionar lesiones personales graves.
2. Sostenga el cortasetos por el mango cuando la cuchilla de corte se encuentre detenida. La manipulación adecuada del cortasetos reducirá la posibilidad de lesiones personales ocasionadas por las cuchillas de corte.
3. Sujete la herramienta solamente por las superficies de asimiento aisladas, ya que la cuchilla de corte podría entrar en contacto con cableado oculto. Las cuchillas de corte que entren en contacto con un cable con corriente podrán hacer que la corriente circule por las piezas metálicas expuestas de la herramienta eléctrica pudiendo ocasionar una descarga eléctrica al operador.

- Limpie el cortasetos y en especial la cortadora después de usarlos y antes de almacenar el cortasetos por períodos prolongados. Aplique una capa ligera de aceite a la cortadora y colóque la cubierta. La cubierta suministrada con la unidad puede colgarse en la pared, proporcionando una manera práctica y segura para almacenar el cortasetos.
- Almacene el cortasetos con la cubierta puesta en una habitación libre de humedad. Manténgalo fuera del alcance de los niños. Nunca almacene el cortasetos en exteriores.

## GUARDE ESTAS INSTRUCCIONES.

**⚠️ ADVERTENCIA:** NO DEJE que la comodidad o familiaridad con el producto (a base de utilizarlo repetidamente) evite que siga estrictamente las normas de seguridad para dicho producto. El USO INCORRECTO o el no seguir las normas de seguridad indicadas en este manual de instrucciones puede ocasionar lesiones graves.

### Símbolos

A continuación se muestran los símbolos utilizados para la herramienta.

V	volts o voltios
— ---	corriente directa o continua
n	velocidad especificada
n <sub>0</sub>	velocidad sin carga
... /min r /min	revoluciones o alternaciones por minuto, frecuencia de rotación

### Instrucciones importantes de seguridad para el cartucho de batería

- Antes de utilizar el cartucho de batería, lea todas las instrucciones e indicaciones de precaución en el (1) el cargador de batería, (2) la batería, y (3) el producto con el que se utiliza la batería.
- No desarme el cartucho de batería.
- Si el tiempo de operación se ha acortado en exceso, deje de operar de inmediato. Podría correrse el riesgo de sobrecalentamiento, posibles quemaduras e incluso explosión.
- En caso de que ingresen electrolitos en sus ojos, enjuáguelos bien con agua limpia y consulte de inmediato a un médico. Esto podría ocasionar pérdida de visión.
- Evite cortocircuitar el cartucho de batería:
  - No toque las terminales con ningún material conductor.

- Evite guardar el cartucho de batería en un cajón junto con otros objetos metálicos, tales como clavos, monedas, etc.
- No exponga el cartucho de batería al agua o la lluvia.

Un cortocircuito en la batería puede causar un flujo grande de corriente, sobrecalentamiento, posibles quemaduras e incluso una descompostura.

- No guarde la herramienta ni el cartucho de batería en lugares donde la temperatura pueda alcanzar o exceder los 50°C (122°F).
- Nunca incinere el cartucho de batería incluso en el caso de que esté dañado seriamente o ya no sirva en absoluto. El cartucho de batería puede explotar si se tira al fuego.
- Tenga cuidado de no dejar caer ni golpear la batería.
- No use una batería dañada.
- Las baterías de ión de litio están sujetas a los requisitos reglamentarios en materia de bienes peligrosos.
 

Para el transporte comercial, por ej., mediante terceros o agentes de transporte, se deben tomar en cuenta los requisitos especiales relativos al empaque y el etiquetado.

Para efectuar los preparativos del artículo que se va a enviar, se requiere consultar a un experto en materiales peligrosos. Si es posible, consulte además otras regulaciones nacionales más detalladas.

Pegue o cubra con cinta adhesiva los contactos abiertos y empaque la batería de manera que ésta no pueda moverse dentro del paquete.
- Siga las regulaciones locales relacionadas al desecho de las baterías.

## GUARDE ESTAS INSTRUCCIONES.

**⚠️ PRECAUCIÓN:** Utilice únicamente baterías originales de Makita. El uso de baterías no originales de Makita, o de baterías alteradas, puede ocasionar que las baterías exploten causando un incendio, lesiones personales y daños. Asimismo, esto invalidará la garantía de Makita para la herramienta y el cargador Makita.

## Consejos para alargar al máximo la vida útil de la batería

- Cargue el cartucho de batería antes de que se descargue completamente. Pare siempre la operación y cargue el cartucho de batería cuando note menos potencia en la herramienta.
- No cargue nunca un cartucho de batería que esté completamente cargado. La sobrecarga acortará la vida de servicio de la batería.
- Cargue el cartucho de batería a una temperatura ambiente de 10 °C - 40 °C (50 °F - 104 °F). Si un cartucho de batería está caliente, déjelo enfriar antes de cargarlo.

## DESCRIPCIÓN DEL FUNCIONAMIENTO

**⚠PRECAUCIÓN:** Asegúrese siempre de que la herramienta esté apagada y el cartucho de batería haya sido extraído antes de realizar cualquier ajuste o comprobación en la herramienta.

### Uso de la herramienta como cortasetos inalámbrico/tijeras inalámbricas para hierba

#### Para el modelo MU04

Esta herramienta puede ser utilizada como cortasetos inalámbrico mediante la instalación de cuchillas de cizalla para cortasetos (accesorio opcional).

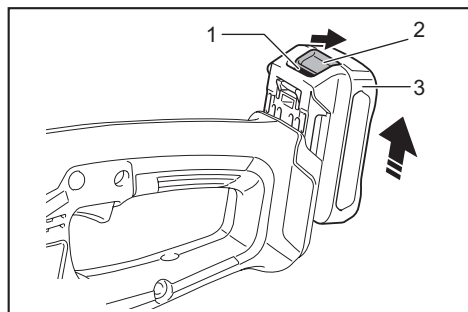
#### Para el modelo HU06

Esta herramienta puede ser utilizada como tijeras inalámbricas para hierba mediante la instalación de cuchillas de cizalla para tijeras para hierba (accesorio opcional).

### Instalación o extracción del cartucho de batería

**⚠PRECAUCIÓN:** Apague siempre la herramienta antes de colocar o quitar el cartucho de batería.

**⚠PRECAUCIÓN:** Sujete la herramienta y el cartucho de la batería con firmeza al colocar o quitar el cartucho de batería. Si no se sujeta con firmeza la herramienta y el cartucho de batería, puede ocasionar que se resbalen de sus manos causando daños a la herramienta y al cartucho de batería, así como lesiones a la persona.



► 1. Indicador rojo 2. Botón 3. Cartucho de batería

Para quitar el cartucho de batería, deslícelo de la herramienta mientras desliza el botón sobre la parte delantera del cartucho.

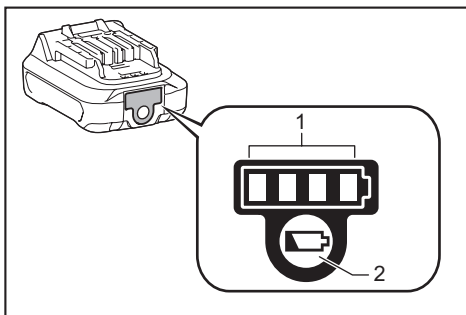
Para colocar el cartucho de batería, alinee la lengüeta sobre el cartucho de batería con la ranura en la carcasa y deslice en su lugar. Inserte por completo hasta que se fije en su lugar con un pequeño clic. Si puede ver el indicador rojo del lado superior del botón, esto indica que no ha quedado fijo por completo.

**⚠PRECAUCIÓN:** Introduzca siempre completamente el cartucho de batería hasta que el indicador rojo no pueda verse. Si no, podría accidentalmente salirse de la herramienta y caer al suelo causando una lesión a usted o alguien a su alrededor.

**⚠PRECAUCIÓN:** No instale el cartucho de batería a la fuerza. Si el cartucho no se desliza al interior fácilmente, se debe a que no está siendo insertado correctamente.

### Indicación de la capacidad restante de la batería

Únicamente para cartuchos de batería con el indicador



► 1. Luces indicadoras 2. Botón de verificación

Oprima el botón de verificación en el cartucho de la batería para que indique la capacidad restante de la batería. Las luces indicadoras se iluminarán por algunos segundos.

Luces indicadoras		Capacidad restante
Iluminadas	Apagado	
■ ■ ■ ■	□	75% a 100%
■ ■ ■ □	□	50% a 75%
■ ■ □ □	□	25% a 50%
■ □ □ □	□	0% a 25%

**NOTA:** Dependiendo de las condiciones de uso y la temperatura ambiente, la indicación podrá diferir ligeramente de la capacidad real.

### Sistema de protección para la herramienta/batería

La herramienta está equipada con un sistema de protección de la herramienta/batería. Este sistema corta en forma automática el suministro de energía al motor para prolongar la vida útil de la herramienta y la batería. La herramienta se detendrá automáticamente durante la operación si la herramienta o la batería se someten a una de las siguientes condiciones:

## Protección contra sobrecarga

Cuando la batería se esté usando de una manera que cause que consuma una cantidad de corriente inusualmente alta, la herramienta se detendrá automáticamente. En este caso, apague la herramienta y detenga la aplicación que causó que la herramienta se sobrecargara. Luego encienda la herramienta para volver a ponerla en marcha.

## Protección contra sobrecalentamiento

Cuando la herramienta o la batería se sobrecalienten, la herramienta se detendrá automáticamente y la lámpara parpadeará. En este caso, permita que la herramienta y la batería se enfríen antes de volver a encender la herramienta.

## Protección en caso de sobredescarga

Cuando la capacidad de la batería no sea suficiente, la herramienta se detendrá automáticamente. Si enciende la herramienta, el motor volverá a funcionar pero se detendrá al poco tiempo. En este caso, extraiga la batería de la herramienta y cárguela.

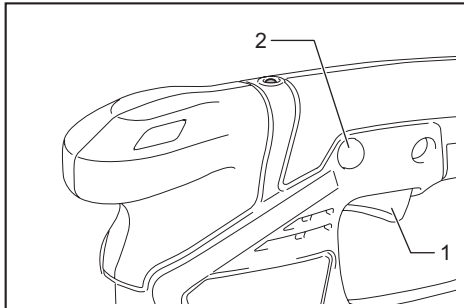
## Accionamiento del interruptor

**⚠ ADVERTENCIA:** Antes de insertar el cartucho de batería en la herramienta, compruebe siempre y cerciórese de que el gatillo interruptor se acciona debidamente y que vuelve a la posición "OFF" (apagado) cuando lo suelta.

**⚠ ADVERTENCIA:** Por su seguridad, esta herramienta está equipada con un botón de desbloqueo para prevenir que la herramienta se active accidentalmente. Nunca use la herramienta si se pone en marcha al jalar el gatillo interruptor sin haber oprimido el botón de desbloqueo. Solicite la reparación en el centro de servicio Makita de su localidad.

**⚠ ADVERTENCIA:** Nunca deshabilite la función de bloqueo ni cubra con cinta el botón de desbloqueo.

**AVISO:** No jale con fuerza el gatillo interruptor sin oprimir el botón de desbloqueo. El interruptor podría averiarse.

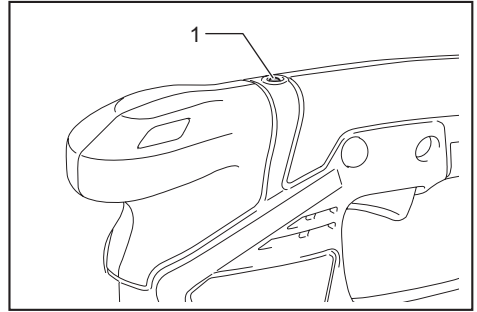


► 1. Gatillo interruptor 2. Botón de desbloqueo

Para arrancar la herramienta, oprima el botón de desbloqueo y jale el gatillo interruptor. Suelte el gatillo interruptor para parar la herramienta. El botón de desbloqueo puede oprimirse ya sea del lado derecho o izquierdo.

## Luz indicadora

La luz indicadora parpadeará o se encenderá cuando la capacidad restante de la batería sea baja o se haya agotado. La luz indicadora también se encenderá cuando la herramienta se haya sobrecargado.



► 1. Luz indicadora

## Estado de la luz indicadora y medida a tomar

Luz indicadora	Estado	Medida a tomar
La luz roja parpadea.	La capacidad restante de la batería es baja.	Cargue la batería.
La luz roja se enciende.*	La herramienta se ha detenido debido a que la capacidad restante de la batería se ha agotado.	Cargue la batería.
	La herramienta se ha detenido debido a una sobrecarga.	Apague la herramienta.

\* El momento en el que la luz indicadora se enciende puede variar dependiendo de la temperatura en el área de trabajo y las condiciones del cartucho de batería.

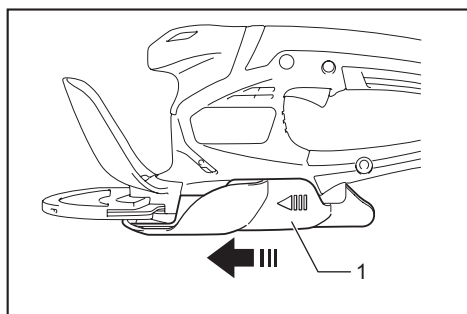
## Ajuste de la altura del cizallado (para tijeras para hierba)

**⚠ PRECAUCIÓN:** Cuando cambie la altura del cizallado, asegúrese de colocar la cubierta de las cuchillas y tenga cuidado de que sus dedos no queden atrapados entre la herramienta y el colector de hierba.

La altura del cizallado se puede ajustar en tres niveles (15 mm (9/16"), 20 mm (13/16") y 25 mm (1")) cambiando la posición fija del colector de hierba. La altura del cizallado sin el colector de hierba es de aproximadamente 10 mm (3/8").

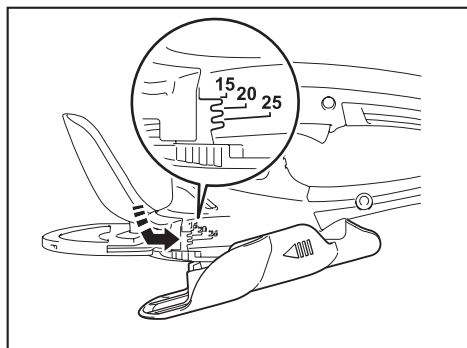
1. Deslice el colector de hierba hacia la parte delantera de la herramienta.





► 1. Colector de hierba

2. Cambie la posición fija del colector de hierba moviéndolo en la dirección de la flecha.



**NOTA:** El valor de la altura del cizallado es una referencia. La altura real del cizallado puede variar dependiendo de la condición del césped o del suelo.

**NOTA:** Haga un cizallado de prueba en un lugar menos prominente para obtener la altura deseada.

## MONTAJE

**PRECAUCIÓN:** Asegúrese siempre de que la herramienta esté apagada y el cartucho de batería haya sido extraído antes de realizar cualquier trabajo en la misma.

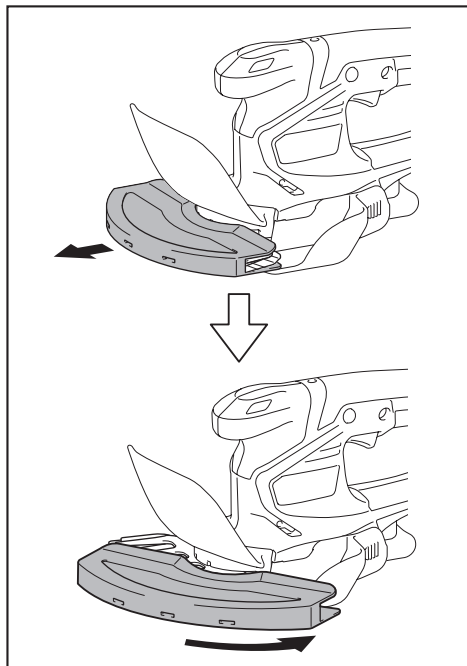
**PRECAUCIÓN:** Siempre utilice guantes al reemplazar las cuchillas de cizalla y coloque la cubierta de las cuchillas de manera que sus manos y cara no hagan contacto directo con las cuchillas.

**AVISO:** Cuando reemplace las cuchillas de cizalla no elimine la grasa del engranaje y de la manivela.

## Instalación o extracción de la cubierta de las cuchillas

**PRECAUCIÓN:** Tenga cuidado de no tocar las cuchillas al instalar o extraer la cubierta de las cuchillas.

Para extraer la cubierta de las cuchillas, jálela ligeramente y luego deslícela hacia los lados. Para instalar la cubierta de las cuchillas, siga los pasos en orden inverso.

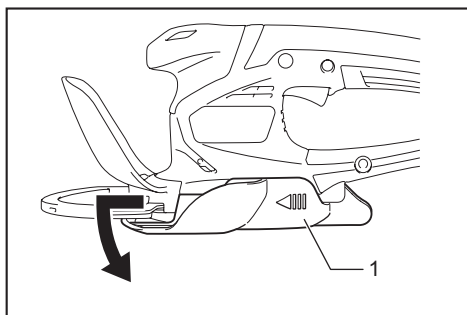


## Instalación o extracción del colector de hierba

**PRECAUCIÓN:** Al instalar o extraer el colector de hierba, asegúrese de colocar la cubierta de las cuchillas y tenga cuidado de que sus dedos no queden atrapados entre la herramienta y el colector de hierba.

### Extracción del colector de hierba

1. Libere las protuberancias en el colector de hierba de las ranuras en la herramienta deslizando el colector de hierba hacia la parte delantera de la herramienta.

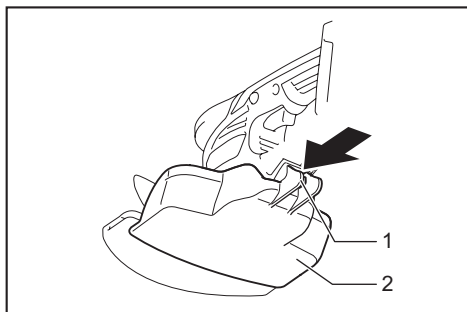


► 1. Colector de hierba

2. Libere la bisagra del colector de hierba de la herramienta.

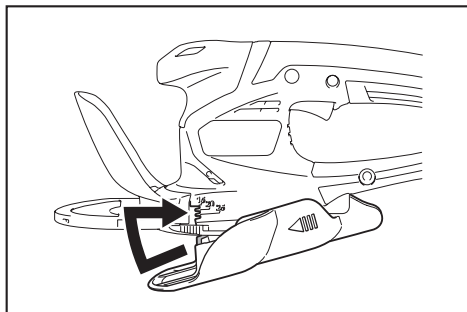
#### Instalación del colector de hierba

1. Embone la bisagra del colector de hierba en la ranura de la herramienta.



► 1. Bisagra 2. Colector de hierba

2. Alinee las protuberancias en el colector de hierba con las ranuras en la herramienta deslizando el colector de hierba hacia la parte delantera de la herramienta y desplazándolo en la dirección de la flecha.

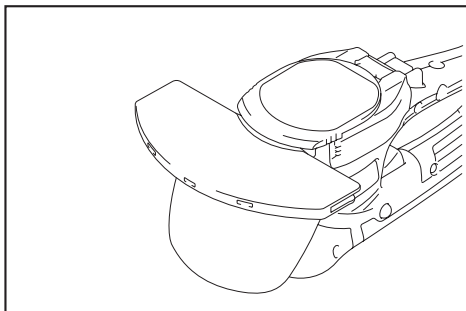




**AVISO:** No coloque a la fuerza la bisagra del colector de hierba en la herramienta después de alinear las protuberancias en el colector de hierba con las ranuras en la herramienta.

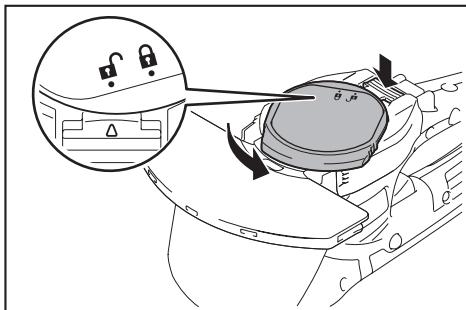
## Instalación o extracción de las cuchillas de cizalla para las tijeras para hierba

### Extracción de las cuchillas de cizalla

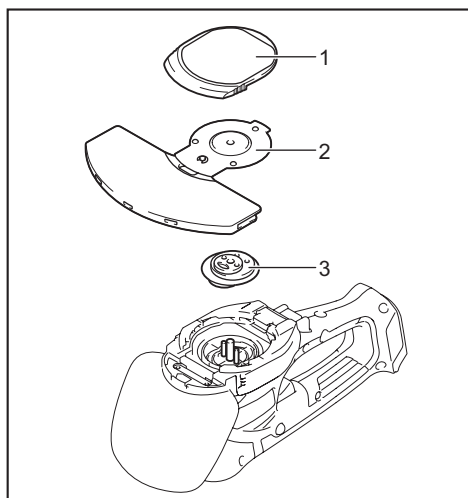
1. Retire el colector de hierba y coloque la herramienta de cabeza.



2. Mientras oprime la palanca de bloqueo, gire la subcubierta en sentido inverso al de las manecillas del reloj hasta que el símbolo  en la subcubierta quede alineado con el símbolo  en la palanca de bloqueo.



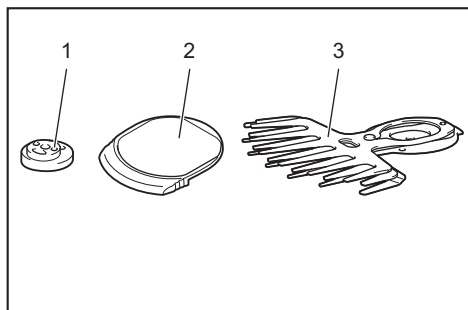
3. Extraiga la subcubierta, las cuchillas de cizalla y la manivela.



► 1. Subcubierta 2. Cuchillas de cizalla 3. Manivela

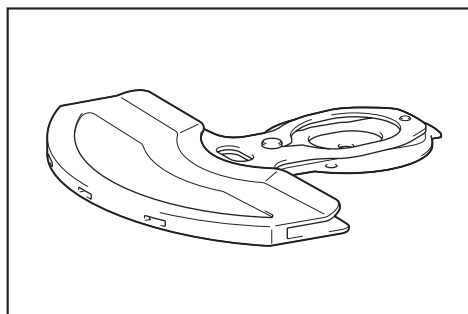
## Instalación de las cuchillas de cizalla

1. Tenga listas la manivela, la subcubierta y las cuchillas de cizalla nuevas.

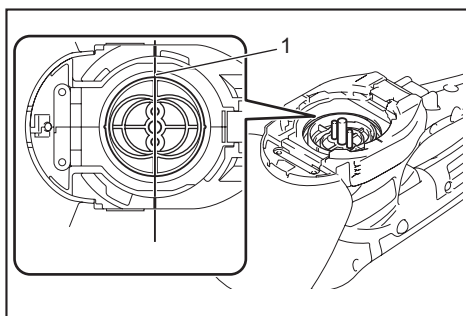


► 1. Manivela 2. Subcubierta 3. Cuchillas de cizalla

2. Retire la cubierta de las cuchillas de cizalla viejas y luego colóquela en las nuevas.

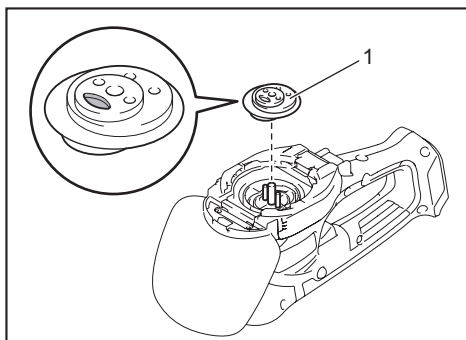


3. Ajuste las tres clavijas de manera que queden alineadas en la línea de alineación.



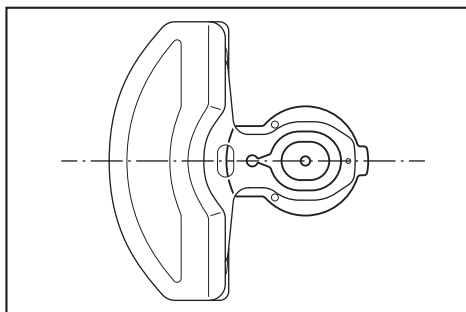
► 1. Línea de alineación

4. Aplique una pequeña cantidad de grasa a la periferia de la manivela. Instale la manivela en las clavijas con las partes redondas pequeñas y grandes orientadas hacia arriba.

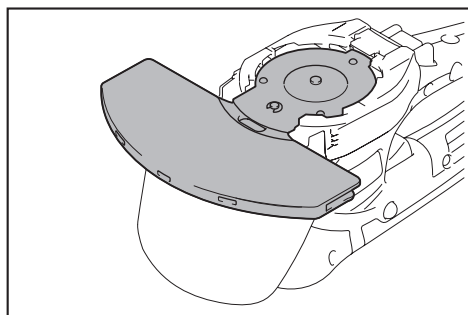




► 1. Manivela

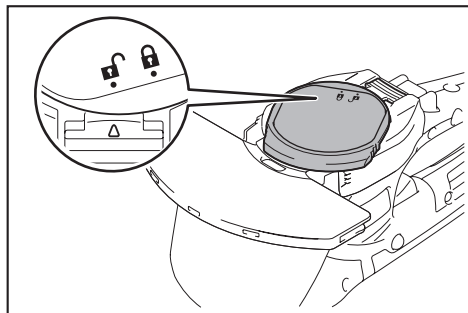
5. Ajuste las cuchillas y la placa de la base de manera que el orificio en la placa de la base y las dos protuberancias en las cuchillas queden alineados.





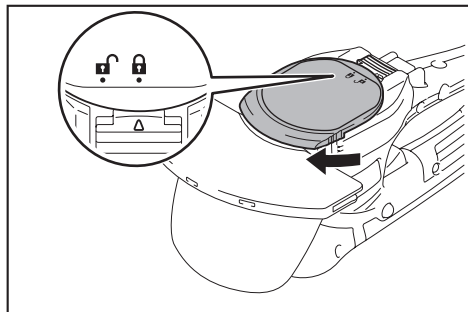
6. Coloque de cabeza las cuchillas de cizalla e instélaslas de manera que las clavijas en la herramienta encajen en el orificio en la placa de la base. Asegúrese de que las cuchillas de cizalla queden fijadas firmemente en su lugar.



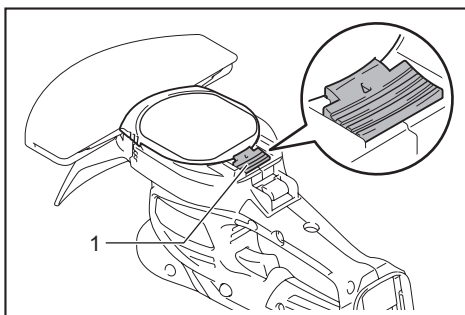
7. Coloque la subcubierta de manera que el símbolo  en la subcubierta quede alineado con el símbolo  en la palanca de bloqueo.



8. Mientras presiona la subcubierta, gírela en el sentido de las manecillas del reloj hasta que el símbolo  en la subcubierta quede alineado con el símbolo  en la palanca de bloqueo.



9. Asegúrese de que la palanca de bloqueo encaje en la ranura en la subcubierta.



► 1. Palanca de bloqueo

**PRECAUCIÓN:** Nunca utilice la herramienta sin haber instalado la subcubierta.

10. Retire la cubierta de las cuchillas y luego encienda la herramienta para verificar que funcione correctamente.

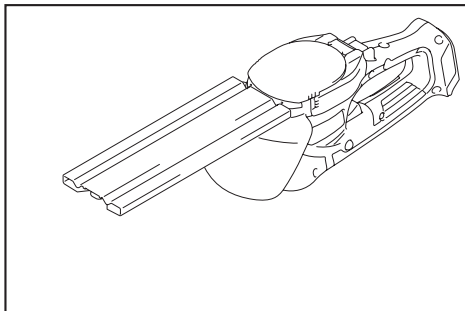
**AVISO:** Si las cuchillas de cizalla no funcionan correctamente es porque las cuchillas no están bien embonadas en la manivela. Extraiga las cuchillas y vuelva a instalarlas.



## Instalación o extracción de las cuchillas de cizalla para el cortasetos

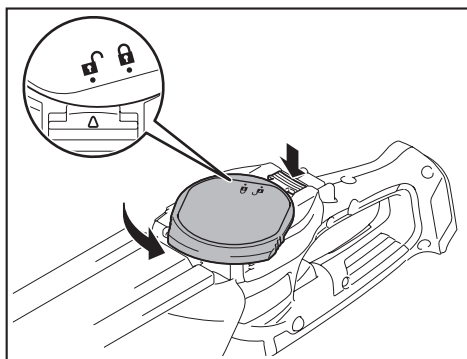
**PRECAUCIÓN:** Coloque la cubierta de las cuchillas antes de extraer o instalar las cuchillas de cizalla.

### Extracción de las cuchillas de cizalla

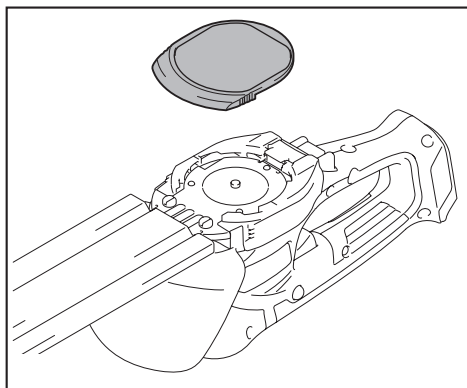
1. Coloque la herramienta de cabeza.



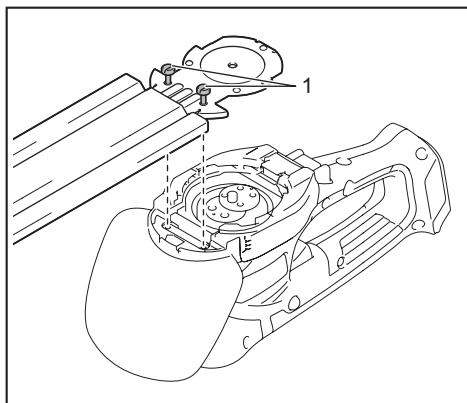
2. Mientras oprime la palanca de bloqueo, gire la subcubierta en sentido inverso al de las manecillas del reloj hasta que el símbolo  en la subcubierta quede alineado con el símbolo  en la palanca de bloqueo.



3. Retire la subcubierta.



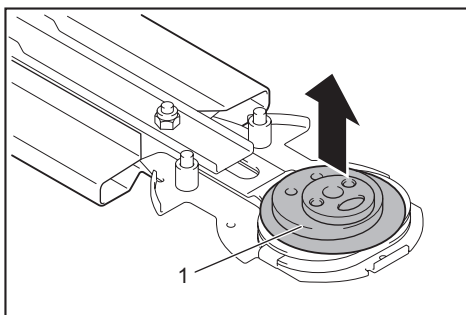
4. Afloje los dos tornillos con un destornillador y extraiga las cuchillas de cizalla.



► 1. Tornillos

**NOTA:** Las cuchillas de cizalla pueden ser extraídas sin retirar los tornillos.

5. Retire la manivela de las cuchillas de cizalla.



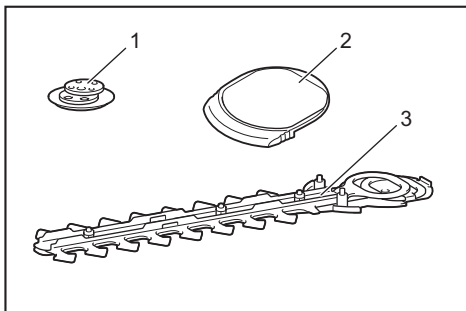
► 1. Manivela

**NOTA:** La manivela puede permanecer en la herramienta.

Coloque la cubierta de las cuchillas de cizalla extraídas, póngalas en el estuche y luego guárdelas.

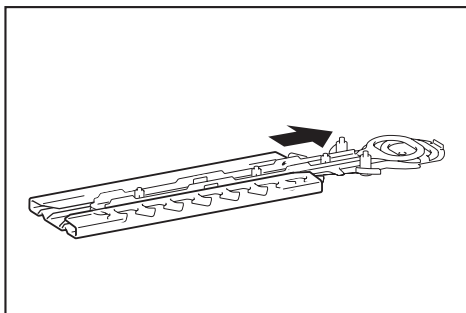
## Instalación de las cuchillas de cizalla

1. Tenga listas la manivela, la subcubierta y las cuchillas de cizalla nuevas.

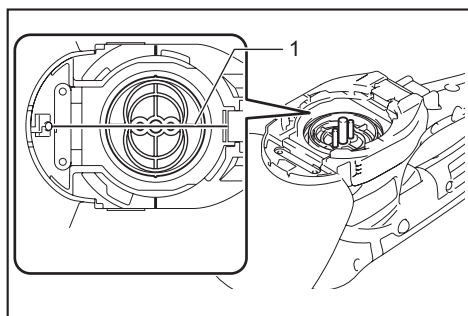


► 1. Manivela 2. Subcubierta 3. Cuchillas de cizalla

2. Coloque la cubierta de las cuchillas de cizalla.

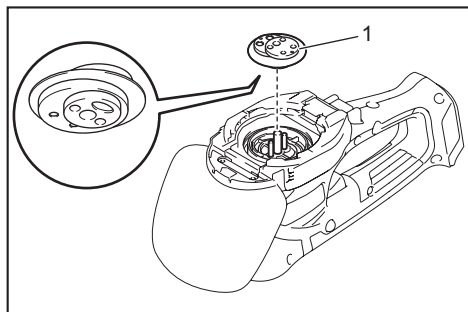


3. Ajuste las tres clavijas de manera que queden alineadas en la línea de alineación.



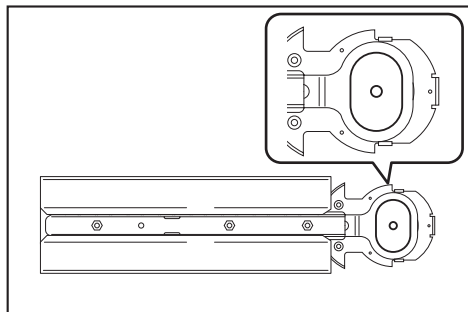
► 1. Línea de alineación

4. Aplique una pequeña cantidad de grasa a la periferia de la manivela. Instale la manivela en las clavijas con las partes redondas pequeñas y grandes orientadas hacia abajo.

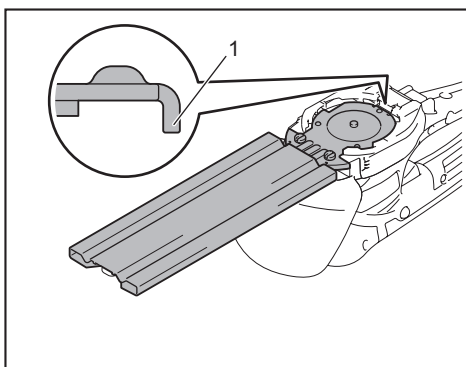


► 1. Manivela

5. Deslice las cuchillas de cizalla de manera que el orificio en la placa de la base quede colocado en el centro de los anillos de las cuchillas.

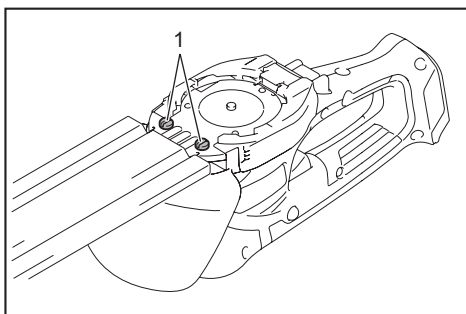


6. Coloque boca abajo de cabeza las cuchillas de cizalla e instélaslas de manera que la clavija en la herramienta encaje en el orificio en las cuchillas de cizalla. Inserte la barreta de la placa de la base en la ranura en la herramienta. Asegúrese de que las cuchillas de cizalla queden fijadas firmemente en su lugar.





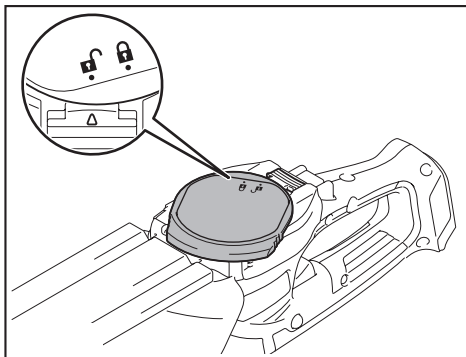
► 1. Barreta



7. Apriete los dos tornillos firmemente con un atornillador.

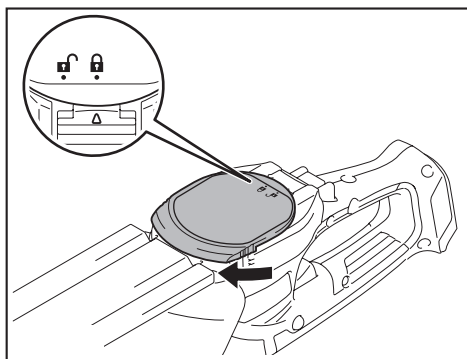


► 1. Tornillos

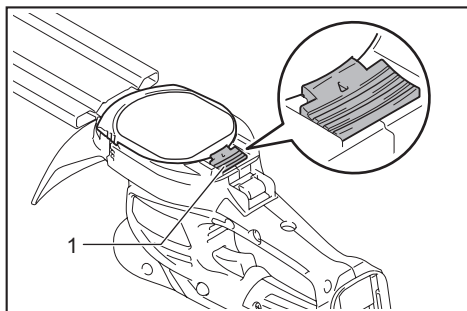
8. Coloque la subcubierta de manera que el símbolo  en la subcubierta quede alineado con el símbolo  en la palanca de bloqueo.



9. Mientras presiona la subcubierta, gírela en el sentido de las manecillas del reloj hasta que el símbolo  en la subcubierta quede alineado con el símbolo  en la palanca de bloqueo.



10. Asegúrese de que la palanca de bloqueo encaje en la ranura en la subcubierta.



► 1. Palanca de bloqueo

**⚠PRECAUCIÓN:** Nunca utilice la herramienta sin haber instalado la subcubierta.

11. Retire la cubierta de las cuchillas y luego encienda la herramienta para verificar que funcione correctamente.

**AVISO:** Si las cuchillas de cizalla no funcionan correctamente es porque las cuchillas no están bien embonadas en la manivela. Extraiga las cuchillas y vuelva a instalarlas.

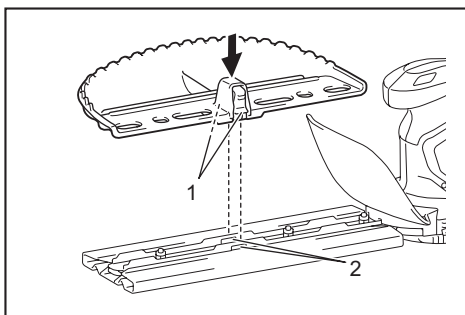
## Instalación o extracción del colector de residuos

### Accesorio opcional

**⚠PRECAUCIÓN:** Siempre utilice guantes al instalar o extraer el colector de residuos y coloque la cubierta de las cuchillas de manera que sus manos y cara no hagan contacto directo con las cuchillas.

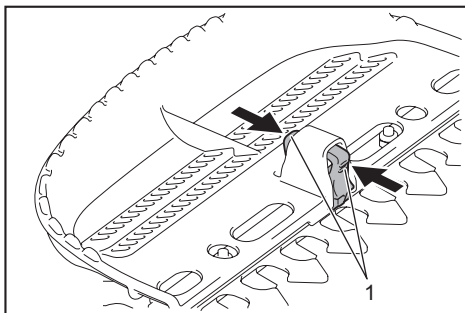
El colector de residuos recolecta los restos de hojas y facilita la limpieza más adelante. Éste puede instalarse en ambos lados de la herramienta.

Para instalar el colector de residuos, presiónelo contra las cuchillas de cizalla de manera que los ganchos encajen en los orificios de las cuchillas de cizalla.



► 1. Ganchos 2. Orificios

Para extraer el colector de residuos, presione las palancas en ambos lados para liberar los ganchos.



► 1. Palancas

**AVISO:** Nunca intente extraer el colector de residuos aplicando una fuerza excesiva con sus ganchos asegurados en los orificios de las cuchillas.

## OPERACIÓN

**⚠ADVERTENCIA:** Antes del cizallado, retire las varas y piedras del área de cizallado. Adicionalmente, retire previamente toda la maleza del área de cizallado.

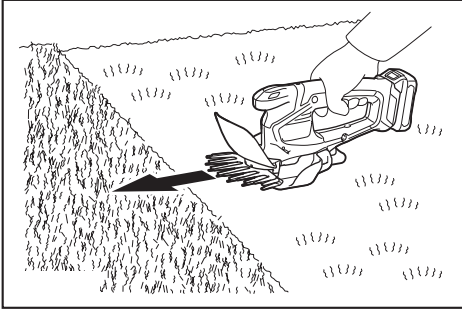


**⚠ADVERTENCIA:** Mantenga las manos alejadas de las cuchillas.

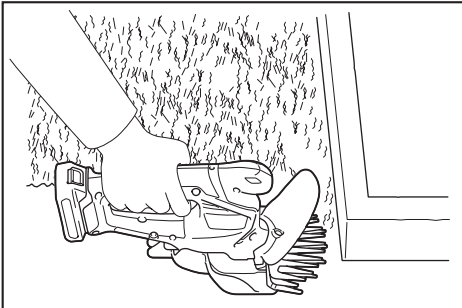
**⚠PRECAUCIÓN:** Si es posible, evite utilizar la herramienta cuando haga demasiado calor. Durante la operación de la herramienta, vigile su condición física.

## Cizallado (para tijeras para hierba)

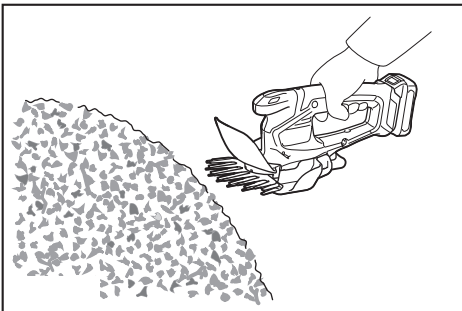
Encienda la herramienta después de ajustar la altura del cizallado y sosténgala de manera que su parte inferior descansa sobre el suelo. Desplace la herramienta hacia adelante suavemente.



Cuando pade alrededor de cunetas, cercas o árboles, desplace la herramienta a lo largo de éstos. Tenga cuidado de que las cuchillas no los toquen.



Cuando pade los brotes o el follaje de un árbol pequeño, hágalo poco a poco.



Pode las ramas largas a la altura deseada con algún cortador de ramas antes de usar esta herramienta.

**AVISO:** No utilice la herramienta en ninguna forma que ocasione que el motor se detenga o rote extremadamente lento.

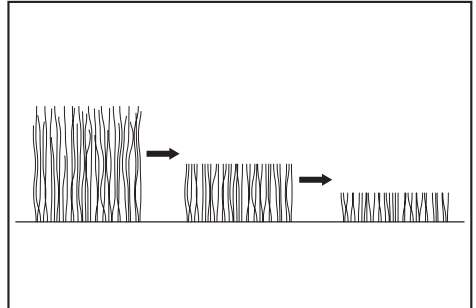
**AVISO:** No intente cortar ramas gruesas.

**AVISO:** No permita que las cuchillas de cizalla hagan contacto con el suelo durante la operación. Las cuchillas se desafilarán ocasionando un desempeño deficiente.

**AVISO:** No pade hierba ni follaje de árboles pequeños en caso de estar mojados.

## Podado de césped largo

No intente cortar pasto largo de golpe. Procure hacerlo en diferentes pasos. Deje pasar uno o dos días entre cada corte hasta lograr que el césped quede recortado de manera uniforme.



**NOTA:** El intentar recortar pasto largo en una sola pasada podría hacer que éste muriera.

## Podado (para cortasetos)

**⚠PRECAUCIÓN:** Tenga cuidado de no tocar accidentalmente una cerca de metal u otros objetos duros durante el podado. Las cuchillas podrían romperse y ocasionar una lesión.

**⚠PRECAUCIÓN:** Tenga cuidado de no permitir que las cuchillas de cizalla hagan contacto con el suelo. La herramienta podría retroceder y ocasionar una lesión.

**⚠PRECAUCIÓN:** Trabajar con el cortasetos en un lugar donde no alcance, particularmente desde una escalera, es extremadamente peligroso. No trabaje mientras esté parado sobre una superficie tambaleante o poco firme.

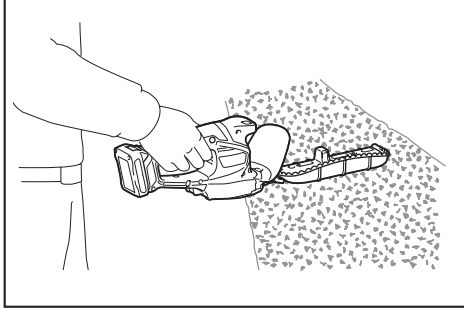
**AVISO:** No intente usar la herramienta para cortar ramas con un diámetro mayor a 10 mm. Corte las ramas a la altura deseada con algún cortador de ramas antes de usar la herramienta.



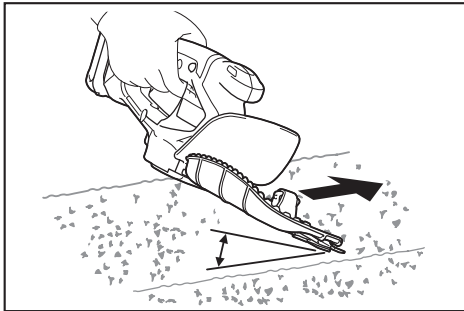
**AVISO:** No corte árboles muertos ni otros objetos duros similares. El hacerlo podría dañar la herramienta.

**AVISO:** No pade hierba ni maleza mientras esté usando las cuchillas de cizalla. Las cuchillas podrían quedar atrapadas en la hierba o maleza.

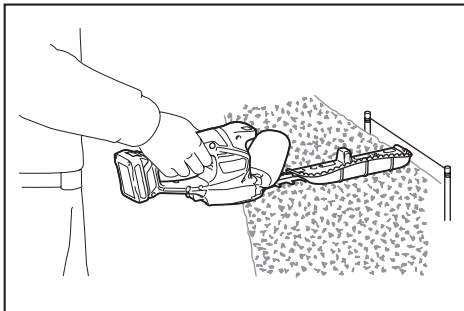
Sostenga la herramienta con una mano, jale el gatillo interruptor mientras oprime el botón de desbloqueo, y luego desplácela hacia adelante.



Para la operación básica, incline las cuchillas hacia la dirección del podado y desplácelas lentamente y con calma a un ritmo de velocidad de 3 a 4 segundos por metro.

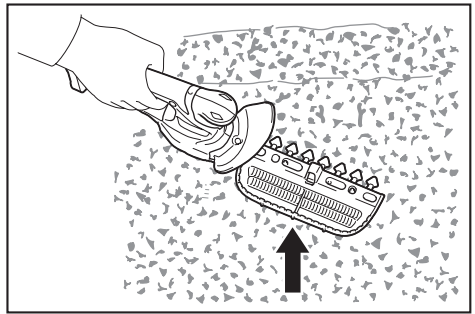


El atar un cordón a la altura deseada y podar a lo largo de éste puede ayudarlo a cortar la parte superior de un seto de manera uniforme.

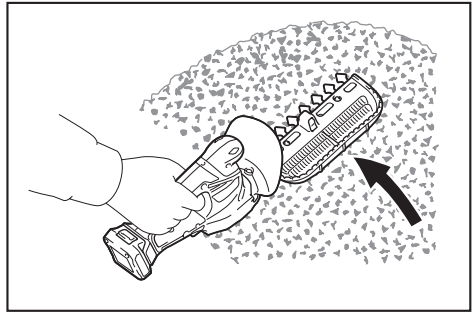


Tener colocado el colector de residuos en las cuchillas permite que éste recolecte los restos de hojas y facilita la limpieza más adelante.

Para cortar la parte lateral de un seto de manera uniforme, corte de abajo hacia arriba.



Cuando desee hacer formas redondas al podar (podar setos de boj o rododendro, etc.), corte de la raíz a la parte superior para lograr un resultado excelente.



## MANTENIMIENTO

**PRECAUCIÓN:** Asegúrese siempre de que la herramienta esté apagada y el cartucho de batería extraído antes de intentar realizar una inspección o mantenimiento.

Para mantener la SEGURIDAD y FIABILIDAD del producto, las reparaciones, y cualquier otra tarea de mantenimiento o ajuste deberán ser realizadas en centros de servicio autorizados o de fábrica Makita, empleando siempre repuestos Makita.

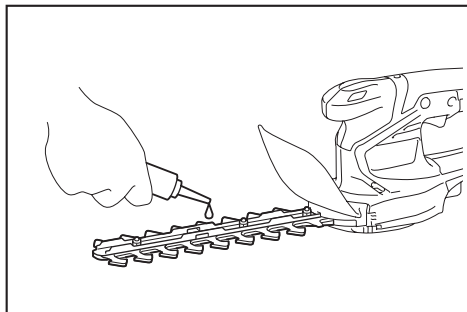
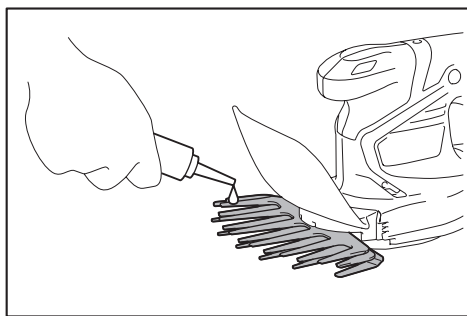
### Limpeza de la herramienta

Quite el polvo de la herramienta con un paño seco o humedezca un paño en agua y jabón y exprímalo para limpiarla.

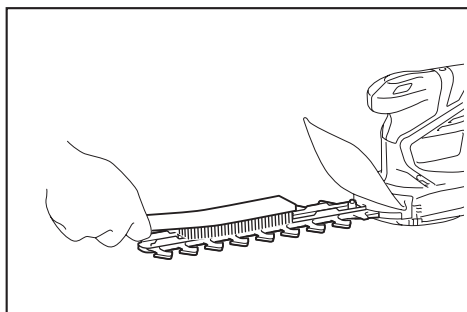
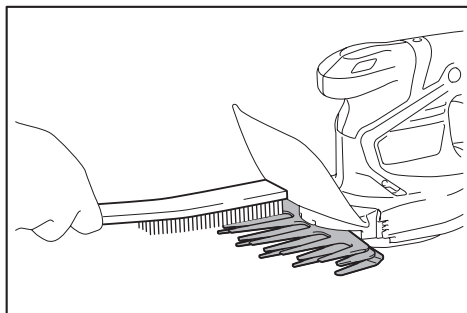
**AVISO:** Nunca use gasolina, bencina, diluyente (tiner), alcohol o sustancias similares. Puede que esto ocasione grietas o descoloramiento.

### Mantenimiento de las cuchillas

Antes de la operación o una vez por hora durante la operación, aplique aceite de baja viscosidad (aceite para máquinas o aceite lubricante en aerosol) a las cuchillas.



Después de la operación, elimine el polvo en ambos lados de las cuchillas con un cepillo de alambre, limpie con un paño y luego aplique aceite de baja viscosidad (aceite para máquinas o aceite lubricante en aerosol) a las cuchillas.

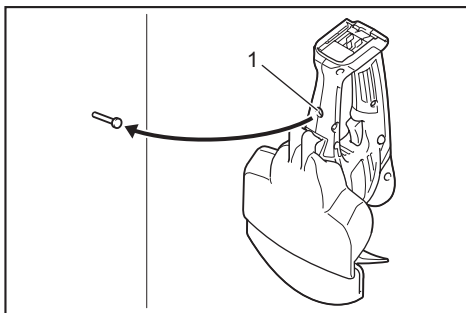


**AVISO:** No lave las cuchillas con agua. Esto podría ocasionar oxidación o daños a la herramienta.

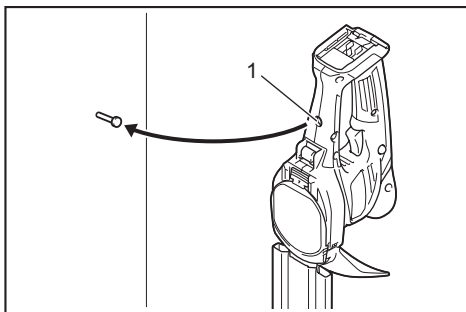
**AVISO:** La suciedad y la corrosión causan una fricción excesiva de las cuchillas y acorta el tiempo de operación en cada carga de batería.

## Almacenamiento

El orificio para el gancho en la parte inferior de la herramienta resulta útil para colgar la herramienta en la pared usando un clavo o tornillo. Coloque la cubierta de las cuchillas de cizalla de manera que las cuchillas no queden expuestas. Almacene la herramienta fuera del alcance de los niños. Almacene la herramienta en un lugar que no esté expuesto a la humedad o la lluvia.



► 1. Orificio



► 1. Orificio

## ACCESORIOS OPCIONALES

**⚠PRECAUCIÓN:** Estos accesorios o aditamentos están recomendados para utilizarse con su herramienta Makita especificada en este manual. El empleo de cualquier otro accesorio o aditamento puede conllevar el riesgo de lesiones personales. Utilice los accesorios o aditamentos solamente para su fin establecido.

Si necesita cualquier ayuda para más detalles en relación con estos accesorios, pregunte a su centro de servicio local Makita.

- Conjunto de cuchillas de cizalla (para uso con las tijeras para hierba)
- Cubierta de las cuchillas de cizalla (para uso con las tijeras para hierba)
- Colector de hierba (para uso con las tijeras para hierba)
- Accesorio de mango largo (para uso con las tijeras para hierba)
- Conjunto de cuchillas de cizalla (para uso con el cortasetos)
- Cubierta de las cuchillas de cizalla (para uso con el cortasetos)
- Colector de residuos (para uso con el cortasetos)
- Estuche
- Batería y cargador originales de Makita

**NOTA:** Algunos de los artículos en la lista pueden incluirse en el paquete de la herramienta como accesorios estándar. Estos pueden variar de país a país.

## **GARANTÍA LIMITADA DE UN AÑO DE MAKITA**

### **Ésta Garantía no aplica para México Política de garantía**

Cada herramienta Makita es inspeccionada y probada exhaustivamente antes de salir de la fábrica. Se garantiza que está libre de defectos de mano de obra y materiales por el periodo de UN AÑO a partir de la fecha original de compra. Si durante este período de un año se desarrollara algún problema, devuelva la herramienta COMPLETA, con el envío prepagado, a un centro de servicio autorizado o de fábrica Makita. Si la inspección muestra que el problema ha sido a causa de un defecto de mano de obra o material, Makita hará la reparación (o a su discreción, el reemplazo) sin ningún cargo.

Esta garantía no aplica cuando:

- las reparaciones se hayan hecho o intentado hacer por otros;
- se requieran reparaciones debido al desgaste normal;
- la herramienta haya sido maltratada, recibido un mal uso o haya recibido un mantenimiento inapropiado;
- se hayan hecho modificaciones a la herramienta.

EN NINGÚN CASO MAKITA SE HARÁ RESPONSABLE DE NINGÚN DAÑO INDIRECTO, INCIDENTAL, O DERIVADO DE LA VENTA O USO DEL PRODUCTO. ESTE DESCARGO DE RESPONSABILIDAD APLICA DURANTE Y DESPUÉS DEL PLAZO DE ESTA GARANTÍA. MAKITA RENUNCIA A LA RESPONSABILIDAD POR CUALQUIER GARANTÍA IMPLÍCITA, INCLUYENDO GARANTÍAS DE "COMERCIABILIDAD" Y "ADECUACIÓN PARA UN PROPÓSITO ESPECÍFICO", DESPUÉS DEL PLAZO DE UN AÑO DE ESTA GARANTÍA.

Esta garantía le concede derechos legales específicos y usted podrá tener también otros derechos que varían de un estado a otro. Algunos estados no permiten la exclusión o limitación de daños incidentales o consecuentes, por lo que la limitación o exclusión arriba mencionada podría no aplicar para usted. Algunos estados no permiten la limitación sobre la duración de una garantía implícita, por lo que la limitación arriba mencionada podría no aplicar para usted.

< USA only >

# WARNING

Some dust created by power sanding, sawing, grinding, drilling, and other construction activities contains chemicals known to the State of California to cause cancer, birth defects or other reproductive harm. Some examples of these chemicals are:

- lead from lead-based paints,
- crystalline silica from bricks and cement and other masonry products, and
- arsenic and chromium from chemically-treated lumber.

Your risk from these exposures varies, depending on how often you do this type of work. To reduce your exposure to these chemicals: work in a well ventilated area, and work with approved safety equipment, such as those dust masks that are specially designed to filter out microscopic particles.

< Sólo en los Estados Unidos >

# ADVERTENCIA

Algunos polvos creados por el lijado, aserrado, esmerilado, taladrado y otras actividades de la construcción contienen sustancias químicas reconocidas por el Estado de California como causantes de cáncer, defectos de nacimiento y otros peligros de reproducción. Algunos ejemplos de estos productos químicos son:

- plomo de pinturas a base de plomo,
- sílice cristalino de ladrillos y cemento y otros productos de albañilería, y
- arsénico y cromo de maderas tratadas químicamente.

El riesgo al que se expone varía, dependiendo de la frecuencia con la que realice este tipo de trabajo. Para reducir la exposición a estos productos químicos: trabaje en un área bien ventilada y póngase el equipo de seguridad indicado, tal como las máscaras contra polvo que están especialmente diseñadas para filtrar partículas microscópicas.

**Makita Corporation**

3-11-8, Sumiyoshi-cho,  
Anjo, Aichi 446-8502 Japan

[www.makita.com](http://www.makita.com)

885549A946  
MU04-1  
EN, ESMX  
20170204